



The *Choices* brand **Alu-Clad**
Product Overview

The best of “Two Worlds”

Choices

Windows, Doors, Conservatories

Largest European Window Group – Inwido AB

MADE IN FARSE

- Sales in 2020: MSEK 6.681
- Employees: Approx. 4.300
- Production plants: 32
- Head office: Malmö, Sweden



Where we are

Inwido has operations in Denmark, Estonia, Finland, Ireland, Lithuania, Norway, Poland, Romania, the UK, Sweden and Germany.



The *Choices* brand

Windows, Doors, Conservatories

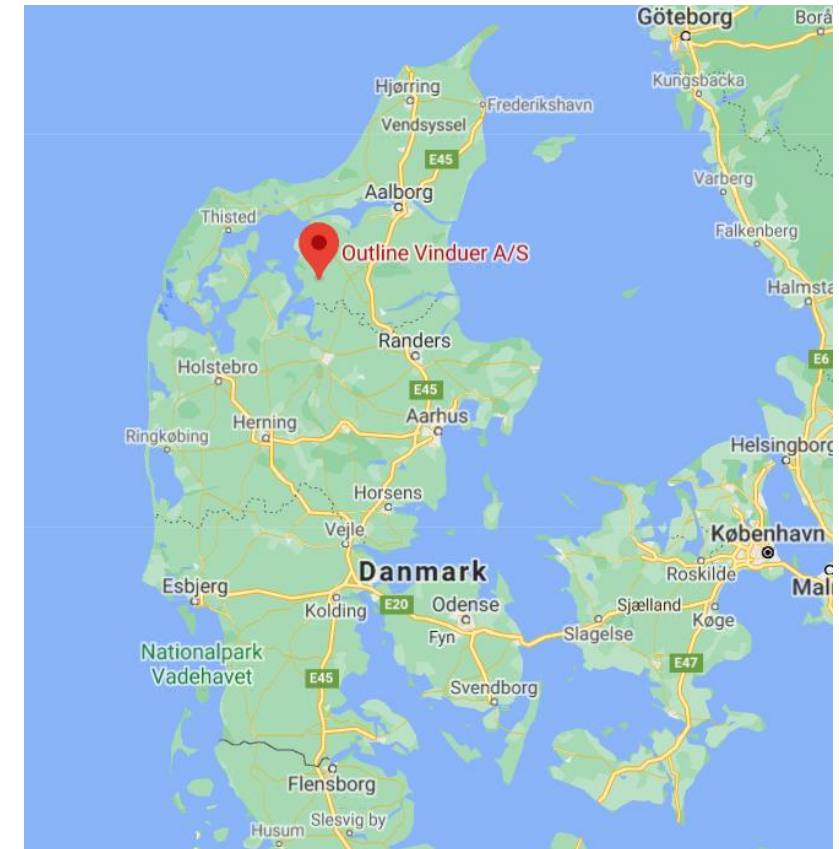
Outline Vinduer A/S



CWG Choices Ltd.

MADE IN FARΣØ

- Sales in 2020: MDKK 511
- Employees: approx. 300
- Weekly elements manufactured: approx. 2.500
- Head office: Farsø, Denmark



The *Choices* brand

Windows, Doors, Conservatories

Wood windows and doors

 MADE IN FARSE

Wooden windows are more than just a living material. Wooden windows have the characteristic of creating a healthy indoor climate and at the same time wood windows provides a highly authentic expression. Wooden windows thus appear beautifully, but are also a durable solution that will make you happy with your wooden windows for years to come. In fact, the durability of the windows is so good that we offer a 10 year warranty on our wooden windows.



Wood/alu windows and doors

 MADE IN FARSØ



THE BEST OF TWO WORLDS FOR NEW BUILDING AND RENOVATION

The wood/aluminium Series combines the best of two worlds. With a wood/aluminium window you will get a beautiful and natural fir surface on the inside, and on the outside you will get a beautiful and practical finish in powder coated aluminium that requires very little maintenance.

The combination in a wooden/aluminium window makes the window resistant to all types of weather. This gives you windows that you can be happy with for years to come. We are so confident about this at Outline that we are offering you a 10 year warranty on your wood/aluminium windows.

Windows - overview

 MADE IN FARSE



FIXED FRAME WINDOWS



SIDE HUNG WINDOWS



SIDE GUIDED WINDOWS



TOP GUIDED WINDOWS



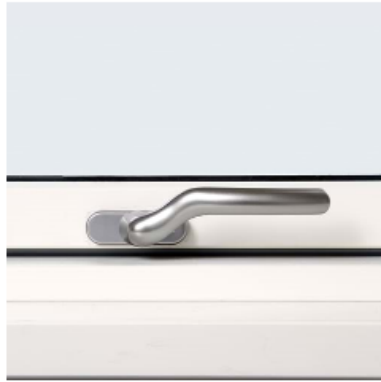
REVERSIBLE WINDOWS



TURN-TILT WINDOWS

Handles for windows

 MADE IN FARSE



Window handle

Standard handle for top and side guided as well as side hung windows. Matt aluminium. Also available in white at a small extra charge.

Satin and white



Window handle with restrictor

With automatic "child safety" that requires both hands for opening.

Satin and white



Window handle with key

Lockable handle. Also available in white at an additional cost. Additional purchase for top and side guided as well as side hung windows.

Satin and white



Window handle fix

Fix83. Additional purchase for side guided as well as side hung windows.

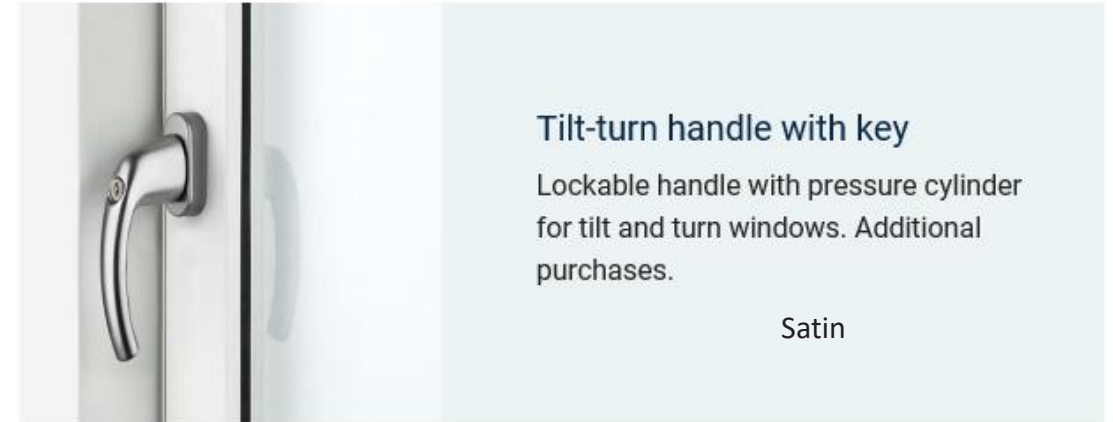
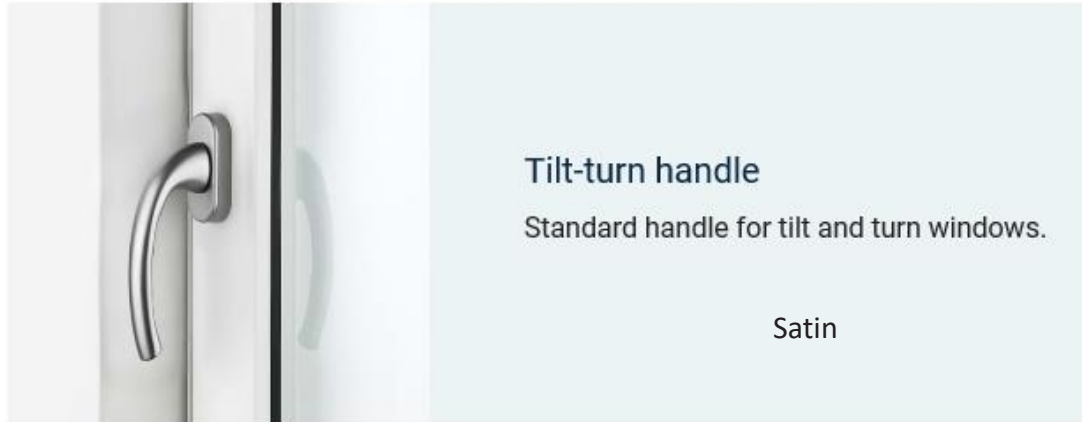
Satin, white and brass

The *Choices* brand

Windows, Doors, Conservatories

Handles for tilt/turn windows

 MADE IN FARSEØ



Accessories for windows

 MADE IN FARSE



Click vent
Additional purchase.

Grey or white



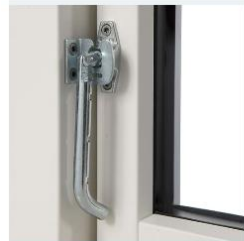
Friction brake

Adjustable friction brakes make it possible to keep the side hung window sash in the desired position. The friction brake cannot fix the sash in strong wind. Additional purchase.



Rescue opening

Loose post with edge girders can be selected in narrow 2- or 3-part side hung windows to obtain sufficient opening and to meet authority emergency rescue requirements. Additional purchases.



Visible safety brackets

For outward opening windows. Available in zinc plated or white. Additional purchase.



Handle-operated brake

Standard with window handle on side hung windows. When the window sash is open and the handle is closed, the sash locks in the desired position. The brake cannot fix the sash in strong wind.



Hidden safety brackets for windows

Hidden brackets for side hung and top guided window sashes. To fully open the window, the hidden safety bracket has to be activated manually. The safety bracket provides extra security against fall damage. Additional purchase.



Window hinge

Supplied as standard with Dacromet-treated matte grey which makes it extra resistant to harsh weather.



WMX 823

Chain actuator

- Chain actuator for concealed installation.
- For smoke and comfort ventilation.
- For top hung, bottom hung and turning windows.
- Not appropriate for roof windows.

Standard - bottom of sash (sash < 800mm)
Option – top of sash (sash >800mm)
Topguided – always on right side frame seen from outside

Entrance door - overview

 MADE IN FARSØ



EXTERIOR DOORS

You can choose from 74 different exterior doors in our four window series, offering you an exterior door that is just right for your home. Whether you are looking for modern doors or classic doors, country style or romantic doors, you will find the door that fits your needs exactly.

Available in the following versions

WOOD **WOOD/ALU** **WOOD/ALU NARROW FRAME**

The *Choices* brand

Windows, Doors, Conservatories

Entrance door – overview

 **MADE IN FARSØ**

THE FOUR DOOR SERIES

To make it easier to choose the right door, we have divided our many exterior doors into four style series.

Find the style that matches your home while exploring our many doors.

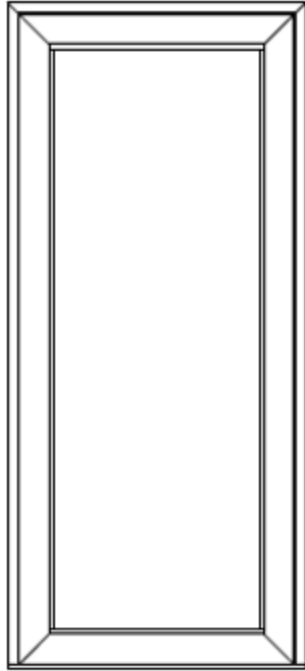
Take a look at all the doors in the four series in the door selector below.

link <https://door.outline.dk/>

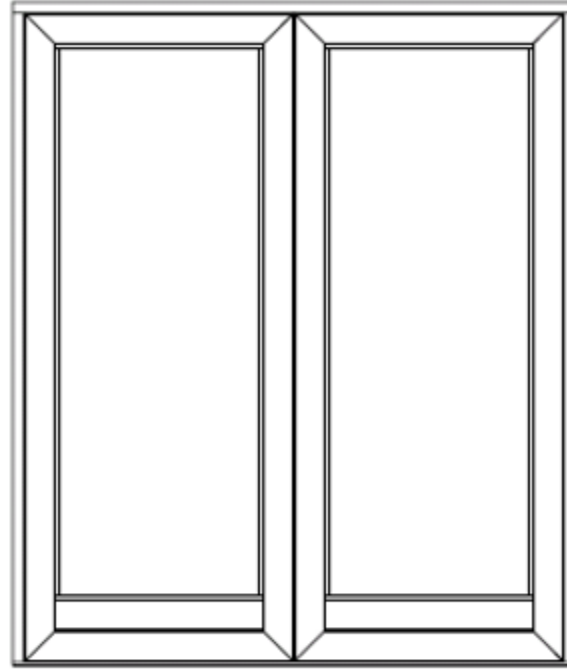


Bottom rails for doors

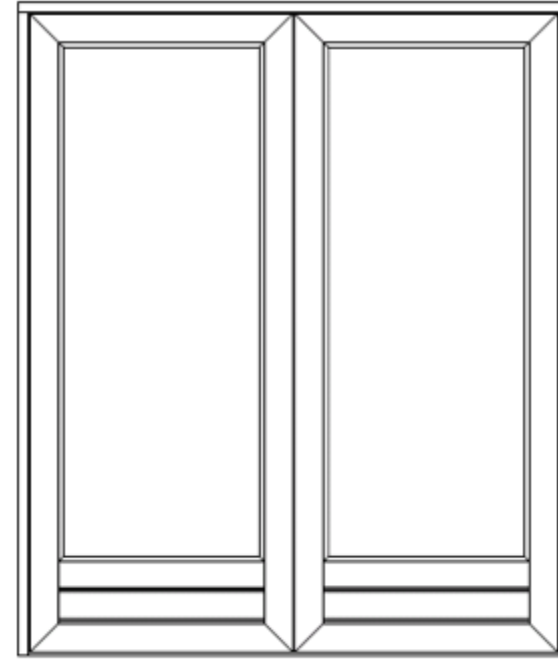
MADE IN FARSE



Single rail



Double rail

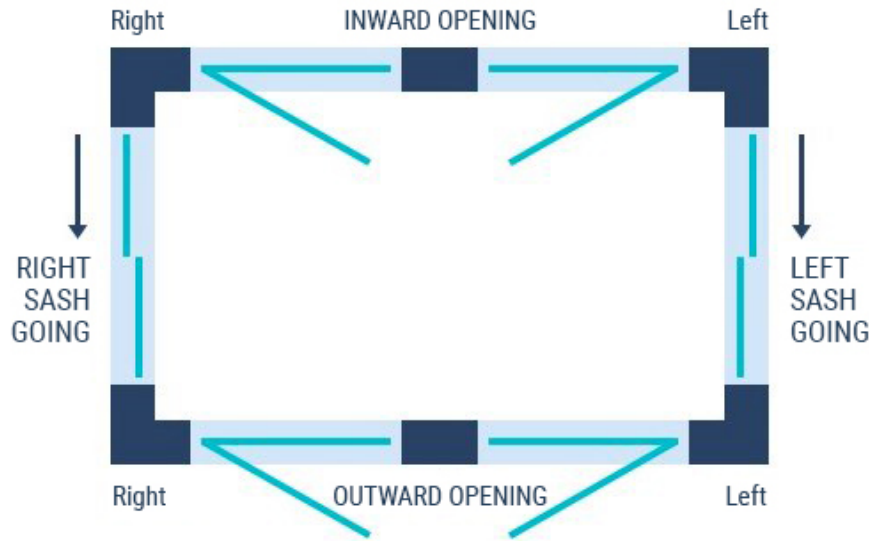


Triple rail

Entrance door - overview

MADE IN FARSØ

THE OPENING DIRECTIONS OF THE DOORS



What is practical and easy?

Most people do not think about which way their windows and doors open. But it actually makes a big difference in terms of everyday functioning. Get good advice below.

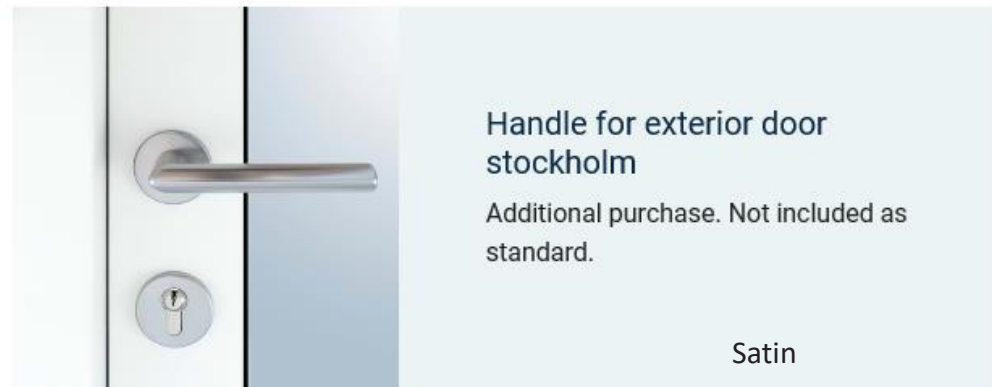
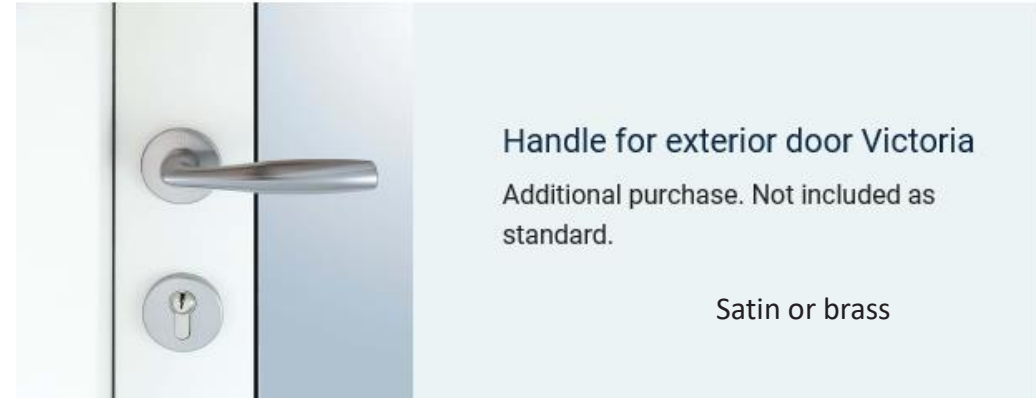
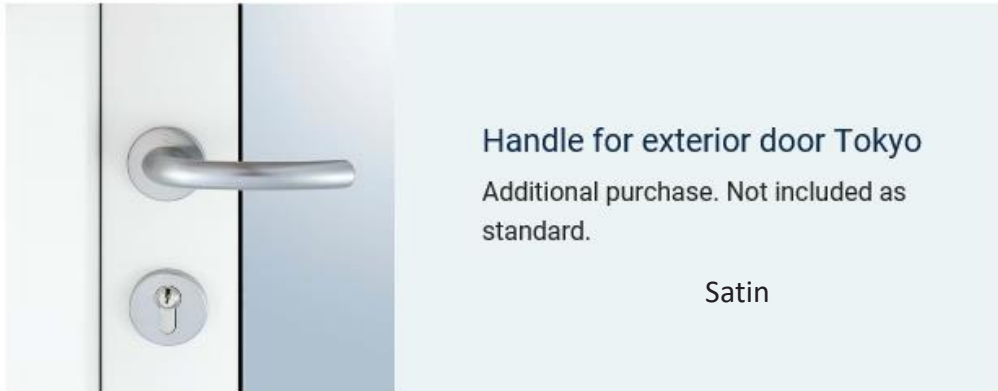
Do you think about how much space there is in the room when you need to open your doors and windows? Or, is there, for example, an eave on your house that the window should not bump into? These are the kinds of questions that you need to ask yourself before you order your new windows and doors. If you, for example, have a small bedroom with a large balcony outside, it is a good idea for your doors to open outwards. This way you will have more space for your bed, cabinets and other furniture so that you can make the most of your square footage.

The *Choices* brand

Windows, Doors, Conservatories

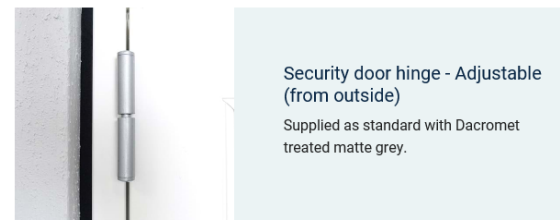
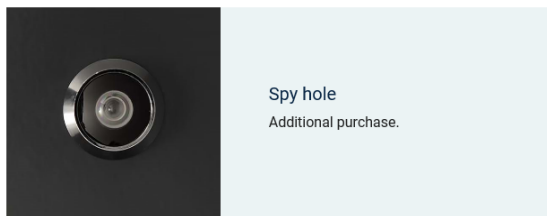
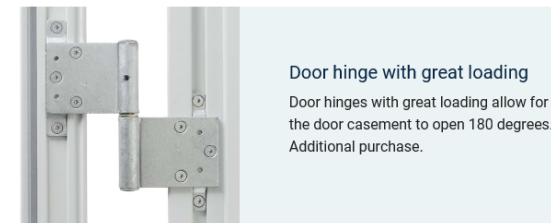
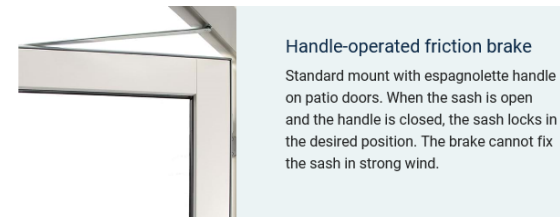
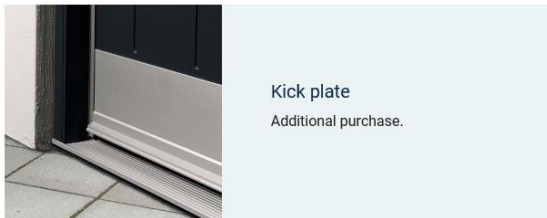
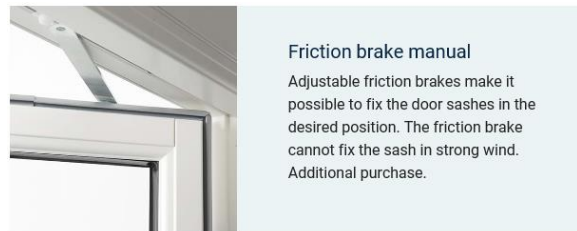
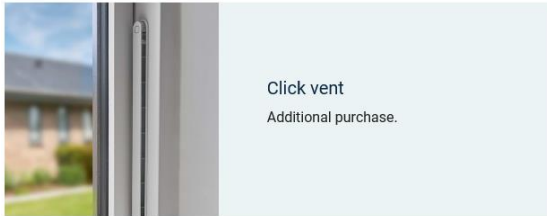
Handles for entrance doors

 MADE IN FARSEØ



Accessories for entrance doors

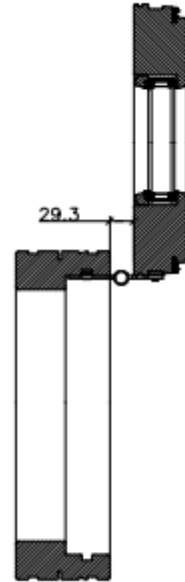
 MADE IN FARSE



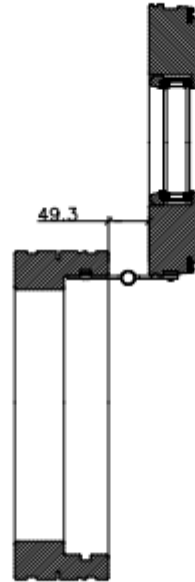
Extra wide hinges – timber door

 MADE IN FARSE

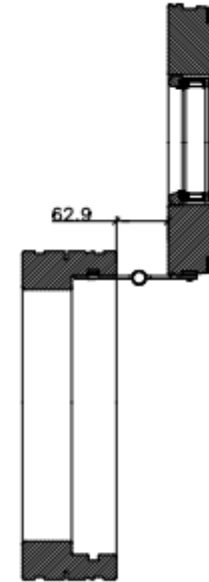
Standard – adjustable



Extra - 49,3mm – adjustable



Extra – 62,9mm – non adjustable
No guarantee on bents hinges



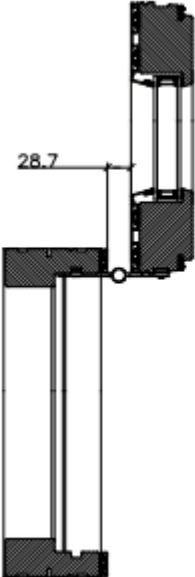
The *Choices* brand

Windows, Doors, Conservatories

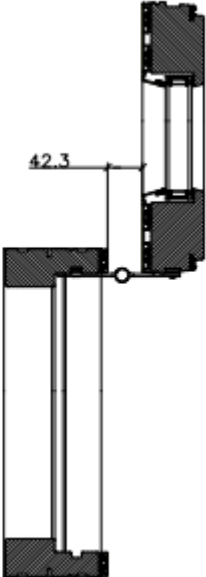
Extra wide hinges – wood/alu door

MADE IN FARSE

Standard – adjustable



Extra – 42,3mm – non adjustable
No guarantee on bents hinges



Patio/ terrace door - overview

 MADE IN FARSE



PATIO DOORS

Patio doors can be selected as a natural extension of window sections, and can be used both to exit to the patio, and as large windows in, e.g., the bedroom.

Patio doors are available as single or double patio doors, providing an extra wide opening out to the patio, garden or balcony. Single patio doors and double patio doors are available with a lockable handle, making it harder for burglars to come in. You can read more about the security options [here](#).

Available in the following versions

WOOD **WOOD/ALU** **WOOD/ALU NARROW FRAME**

The *Choices* brand

Windows, Doors, Conservatories

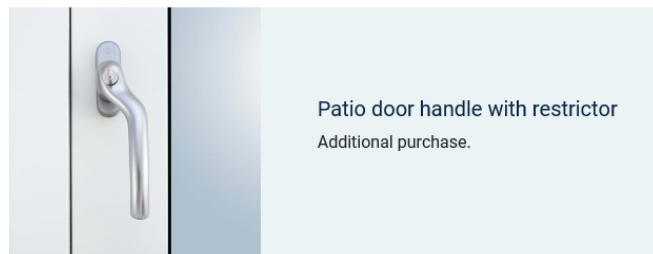
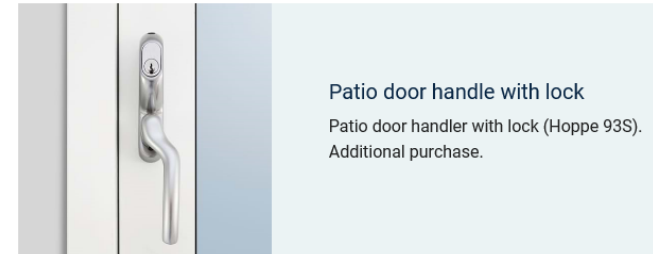
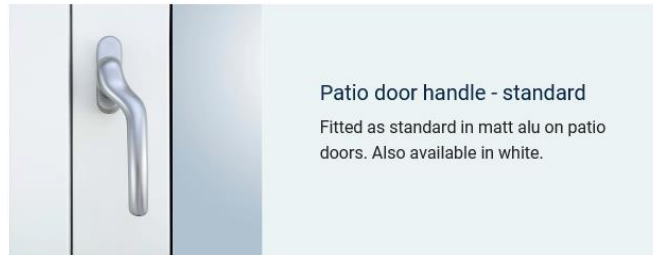
Patio/ terrace door - overview

 MADE IN FARSØ



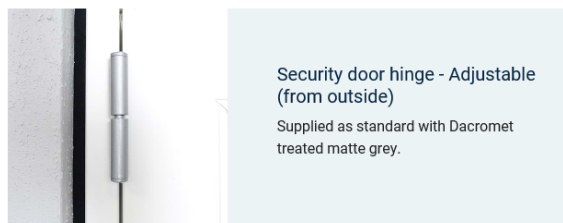
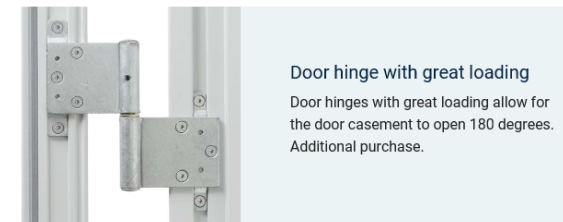
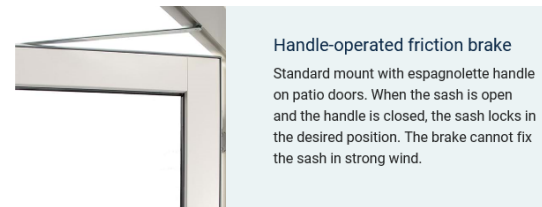
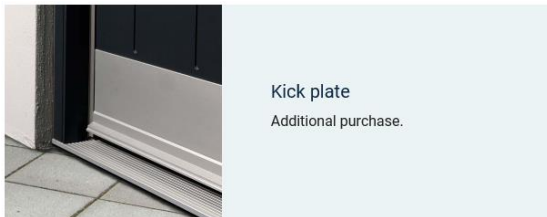
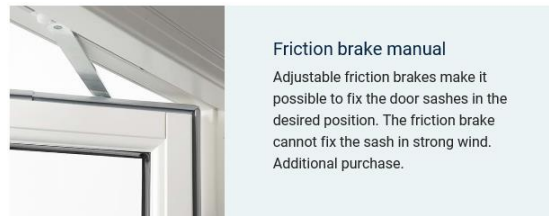
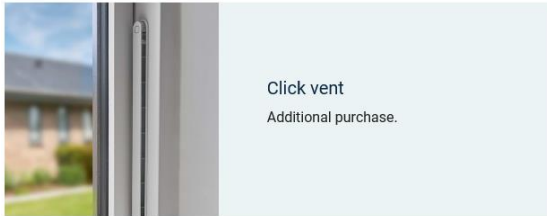
Handles for patio/terrace doors

 MADE IN FARSEØ



Accessories for patio/terrace doors

 **MADE IN FARSE**



Folding doors

 MADE IN FARSØ



FOLDING DOORS

Folding doors provide a unique opportunity to combine outdoor and indoor living, as the folding door can be folded to the side like a harmonica, thus integrating the living room with the garden or patio. Outline's folding doors are made in up to 7 meters width and can therefore be integrated, e.g., in the gable of the home.

The folding door thus allows for a very wide opening with optimal functionality and flexibility in a minimalist design, giving the exterior a beautiful and elegant appearance.

Available in the following versions

WOOD **WOOD/ALU** **WOOD/ALU NARROW FRAME**

The *Choices* brand

Windows, Doors, Conservatories

Folding doors - accessories

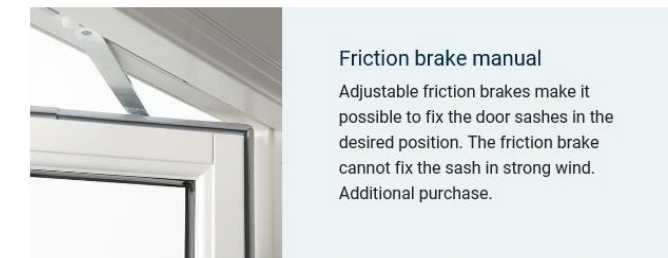
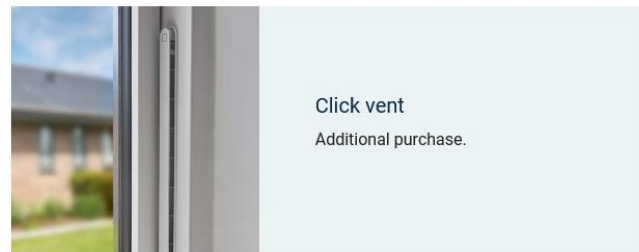
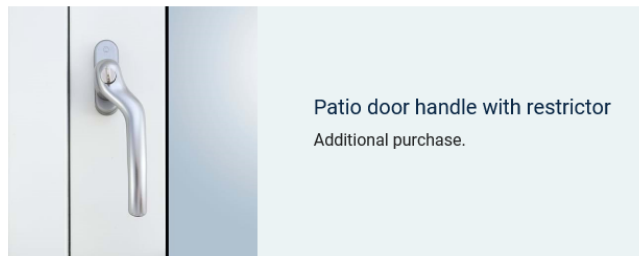
MADE IN FARSE

- Clickvent (option)
- Standard window handle on inside
- Lockable handle inside as an option
- Double handle (lockable inside) option
- Stay arm/ brake (option)
- Only hardwood threshold



Handles/accessories for folding doors

 MADE IN FARSE



Folding doors

 **MADE IN FARSE**

FOLDING DOORS UP TO 4,200 MM IN FRAME WIDTH



3-unit folding door

Width: 1,288 - 2,633 mm
Height: 1,200 - 2,400 mm



4-unit folding door

Width: 1,693 - 3,488 mm
Height: 1,200 - 2,400 mm



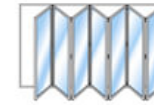
5-unit folding door

Width: 2,098 - 4,198 mm
Height: 1,200 - 2,400 mm



6-unit folding door

Width: 2,503 - 4,198 mm
Height: 1,200 - 2,400 mm



7-unit folding door

Width: 2,908 - 4,198 mm
Height: 1,200 - 2,400 mm



8-unit folding door

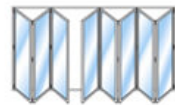
Width: 3,313 - 4,198 mm
Height: 1,200 - 2,400 mm

FOLDING DOORS OVER 4,200 MM IN FRAME WIDTH



6-unit folding door

Width: 4,203 - 5,198 mm
Height: 1,200 - 2,400 mm



8-unit folding door

Width: 4,203 - 6,913 mm
Height: 1,200 - 2,400 mm



10-unit folding door

Width: 4,203 - 7,000 mm
Height: 1,200 - 2,400 mm

The *Choices* brand

Windows, Doors, Conservatories

Sliding door

 MADE IN FARSØ



SLIDING DOORS

Sliding doors, popularly just called sliding doors, provide a good wide opening to the patio and require no extra space to open. The sliding door creates a nice and free light in the home, and can be selected with a single sliding door or two opposite (double) sliding doors.

Available in the following versions

WOOD **WOOD/ALU** **WOOD/ALU NARROW FRAME**

Sliding door - options

MADE IN FARSE

- Standard sliding door (2 parts)



- Double sliding door (4 parts)



Sliding door- accessories

MADE IN FARSE

- Standard clickvent with a steel mesh (option)
- Standard with handle and finger grip outside
- Single handle with cylinder or thumbturn and fingergrip outside (option)
- Double handle with double cylinder (option)
- Double handle with cylinder/thumbturn (option)
- Available with hardwood threshold
- Fiber glass threshold only available for standard sliding door (2 parts) option



Profiles

MADE IN FARSE

Softline (modern)



Classic



Colours

MADE IN FARSE

Standard colours Export



		Wood	Wood/alu
RAL 1013	Pearl White	X	X
RAL 6009	Fir Green	X	X
RAL 7016	Anthracite Grey	X	X
RAL 7032	Pebble Grey	X	X
RAL 7035	Light Grey	X	X
RAL 7043	Traffic Grey B	X	X
RAL 7044	Silk Grey	X	X
RAL 8016	Mahogany Brown	X	X
RAL 9001	Cream White	X	X
RAL 9005	Jet Black	X	X
RAL 9010	Pure White	X	X
Natura stain		X*	X*
White stain		X*	X*

* only internal

Additional cost for non standard colour:

RAL (wood)	1000 dkk
RAL (alu)	1000 dkk
NCS (wood)	1000 dkk
NCS (alu)	3500 dkk

(it might be plus 1-2% per element)



The *Choices* brand

Windows, Doors, Conservatories

Colours – stain and sablé (sandblasted surface)

 MADE IN FARSE



Natura
Inward colours



White
Inward colours



Sablé Noir 900
Exterior sablé



Sablé Noir 2100
Exterior sablé



Sablé Bleu 2600
Exterior sablé



Sablé Gris 2900
Exterior sablé

Glass - overview

MADE IN FARSE

- Black spacer bar, argon gas
- Standard 4mm, 6mm, 8mm float glass
- Laminated 33.1, 33.2, 44.1, 44.2, 55.2
- Laminated with acoustic foil 33.2, 44.2, 55.2
- Toughened 4mm, 6mm, 8mm, 10mm
- Heat Soaked Glass
- Solar glass
- Optifloat glass (Antisun)
- Emalit colour glass (spandrel glass)



Glass - classification

MADE IN FARSE

- Laminated glass
 - 33.1 – class 2B2
 - 33.2 – class 1B1
 - 44.2 – class 1B1
- Toughened glass
 - 3-12mm – class 1C1



Glass - overview

 MADE IN FARSE

ORNAMENT GLASS



Satin



Cotswold



Grossartic



Silvit



Pacific



Stippolyte

The *Choices* brand

Windows, Doors, Conservatories

Bars - overview

MADE IN FARSE

BARS

Energy-efficient bars are made for the harsh Scandinavian weather conditions.

The outward bars on doors are made with alu cap to protect the wood behind, which results in a durable weather resistant product. Also with alu cap bars only minimum maintainance is nessecary.



Bars - overview

 **MADE IN FARSE**

25 MM BARS



25mm modern



25mm classic



25mm outward



42mm modern



42mm classic



42mm outward

60 MM BARS



60mm modern



60mm classic



60mm outward

Panels (timber)- overview

 MADE IN FARSE



Raised panels



Flush panels



V-routers



U-routers

Panels (alu)- overview

 MADE IN FARSØ



Flush alu



Raised alu



Sporet alu U-routers alu

Threshold (basic)- overview

 MADE IN FARSEØ



Fiberglass threshold

Low bottom step, 25 mm - energy-optimized and durable.



Hardwood threshold

Oiled hardwood threshold.



Oak wood threshold

Oiled oak wood threshold. Max length 2,198 mm Can not be delivered with sliding doors and folding doors.



Aluminium cover

Aluminium cover especially adapted to Outline's thresholds. Protects the threshold during the construction phase.

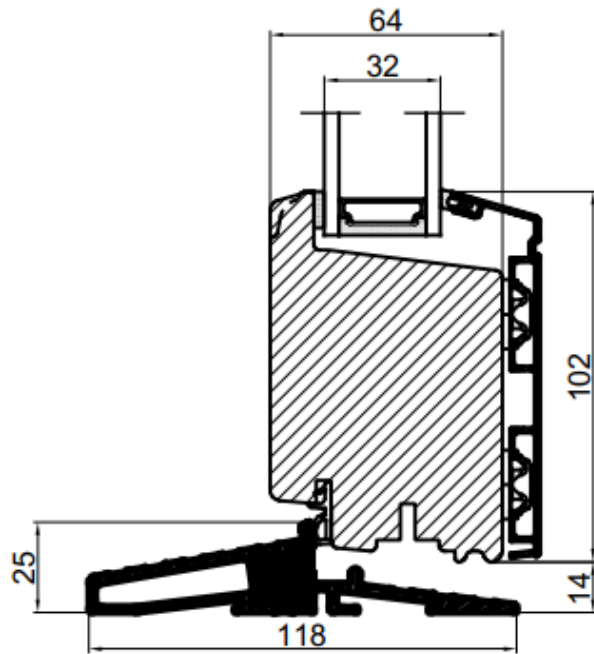
The *Choices* brand

Windows, Doors, Conservatories

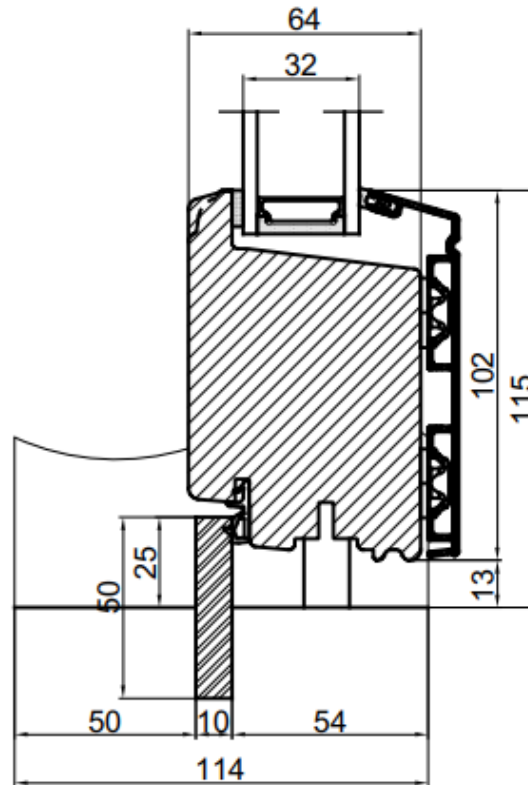
Threshold (options)- overview

MADE IN FARSE

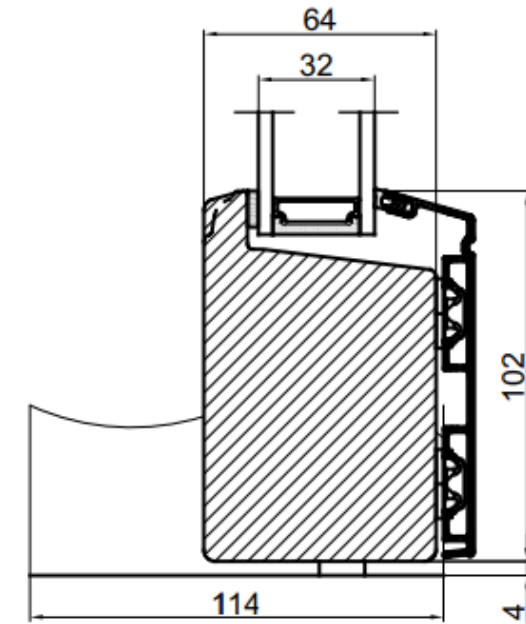
Alu threshold



Iron threshold



Without threshold

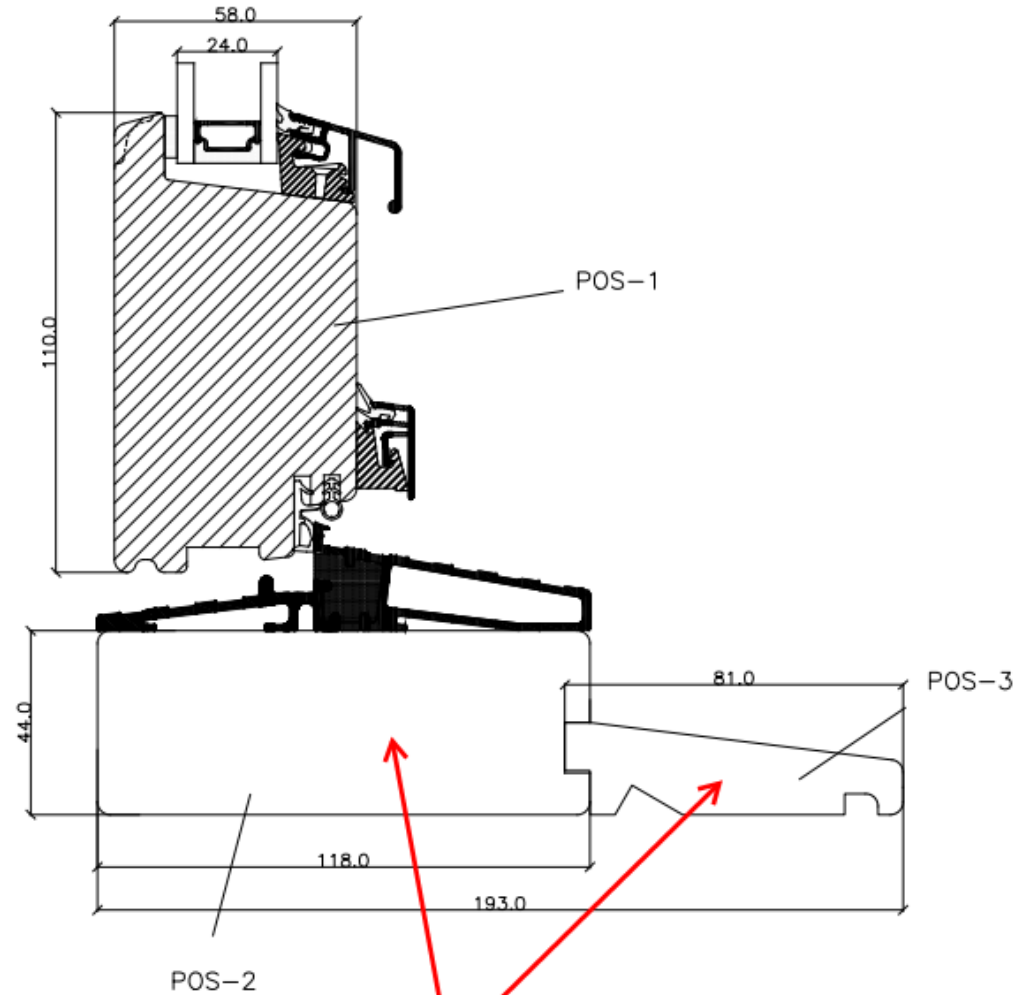


The *Choices* brand

Windows, Doors, Conservatories

Sub-sole(option)

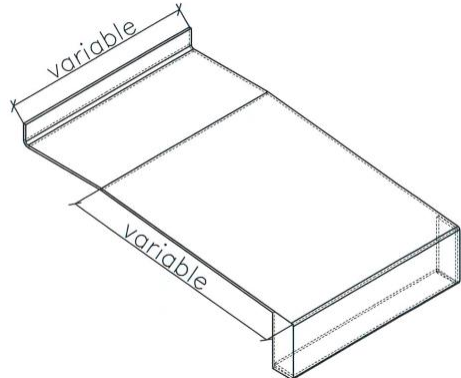
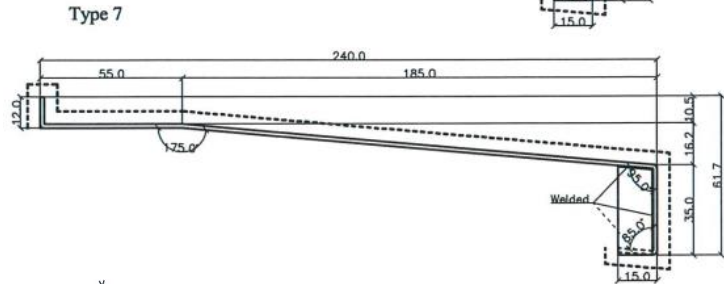
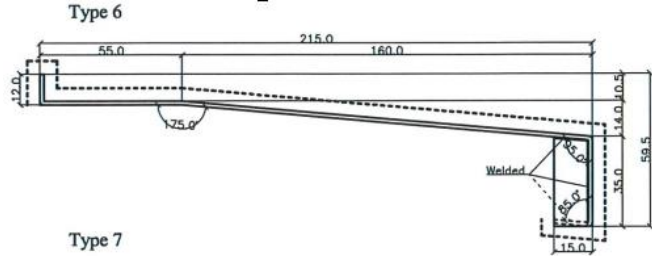
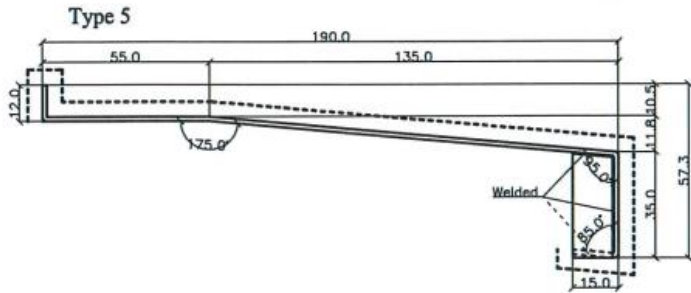
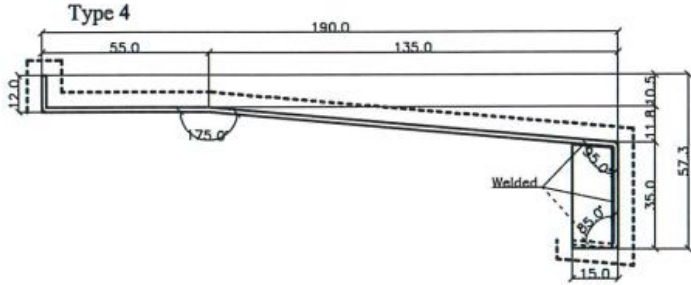
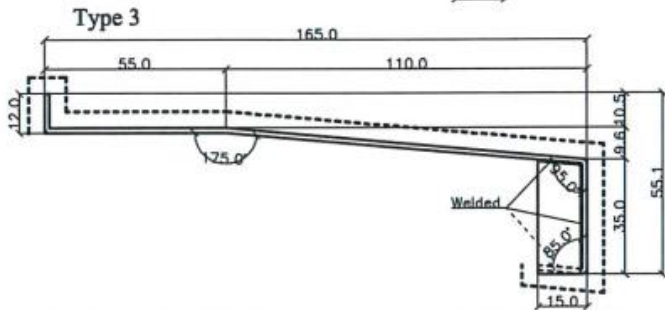
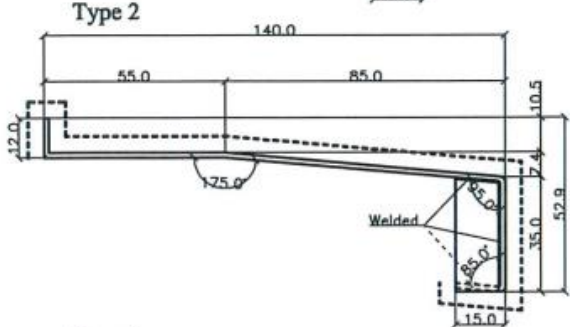
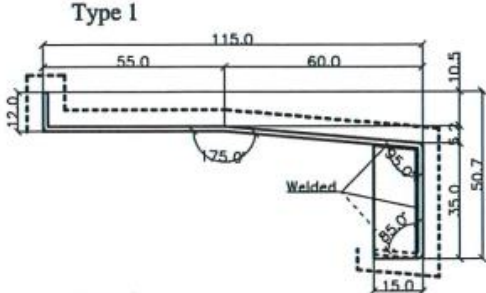
MADE IN FARSE



Available in pine or hardwood

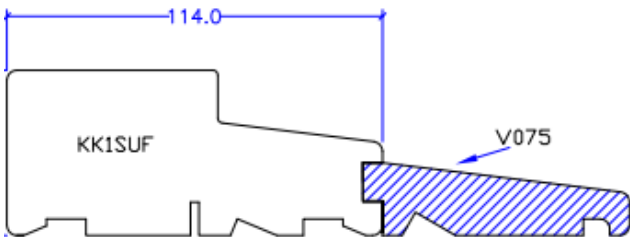
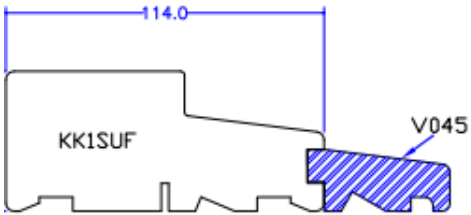
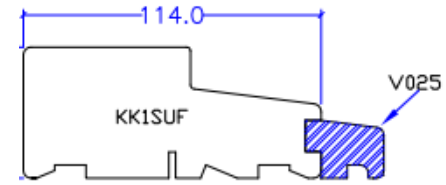
Alu cills

MADE IN FARSE



Timber cills

MADE IN FARSE



Wood - drip cap

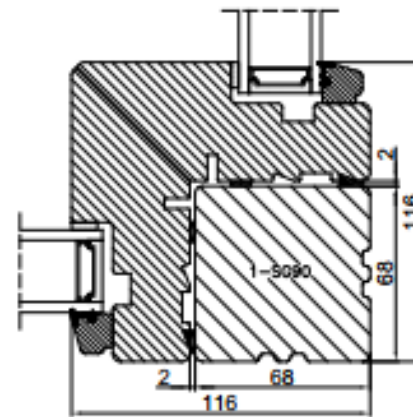
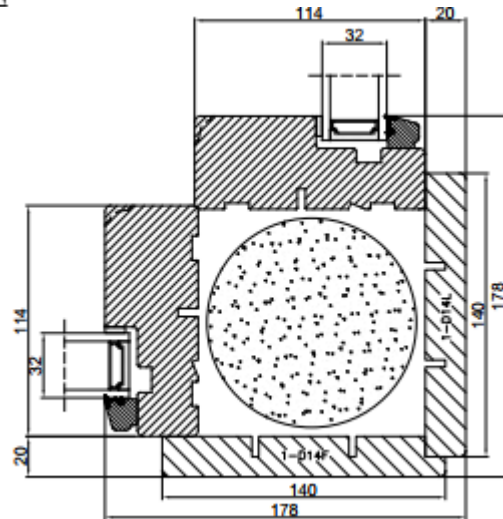
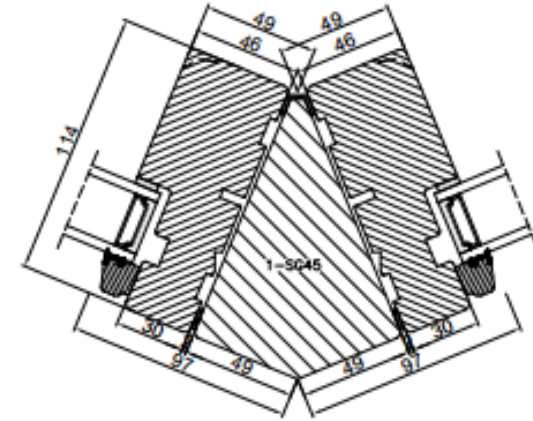
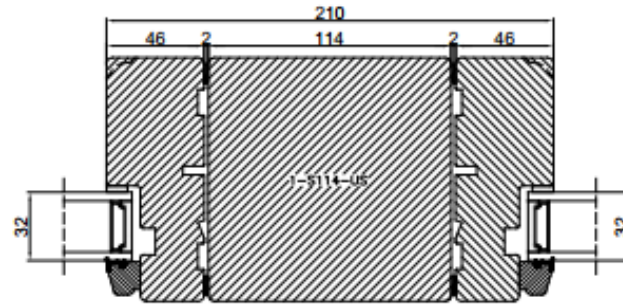
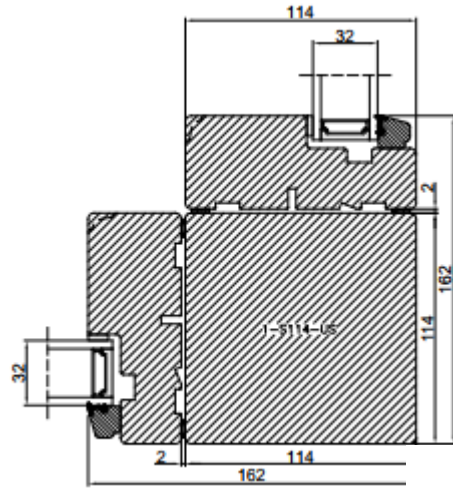
Wood drip cap for the lower frame can be selected to adjust the window's depth in existing sill. It can also be used for upper frame, especially in older multi-story properties to ensure water drainage from the exterior. Supplied only for wood elements. Additional purchase.

The *Choices* brand

Windows, Doors, Conservatories

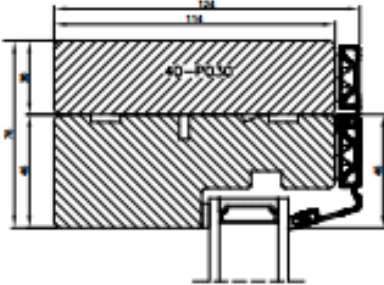
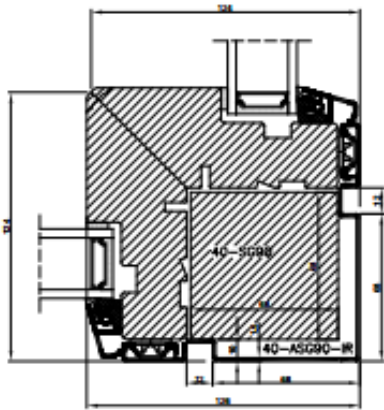
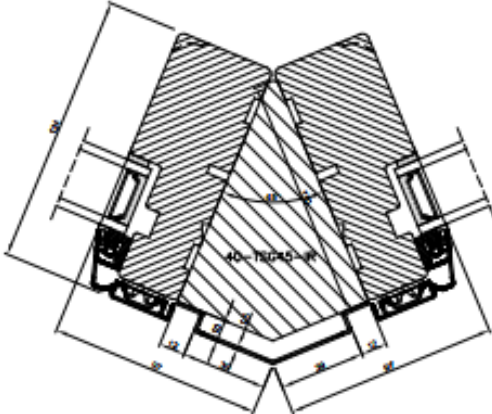
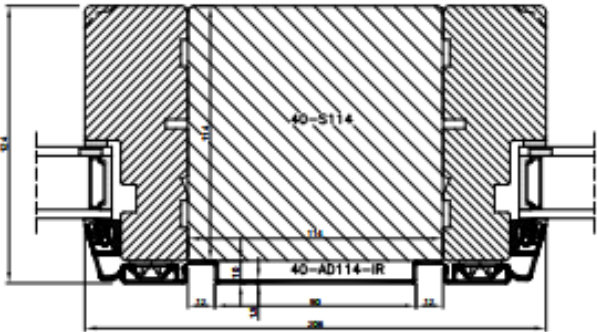
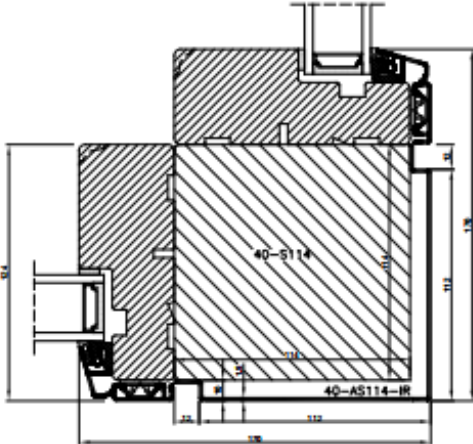
Timber post

MADE IN FARSE



Alu post

MADE IN FARSE



Bevelled frame – available for wood and wood/alu (max 12 dgr)

MADE IN FARSE



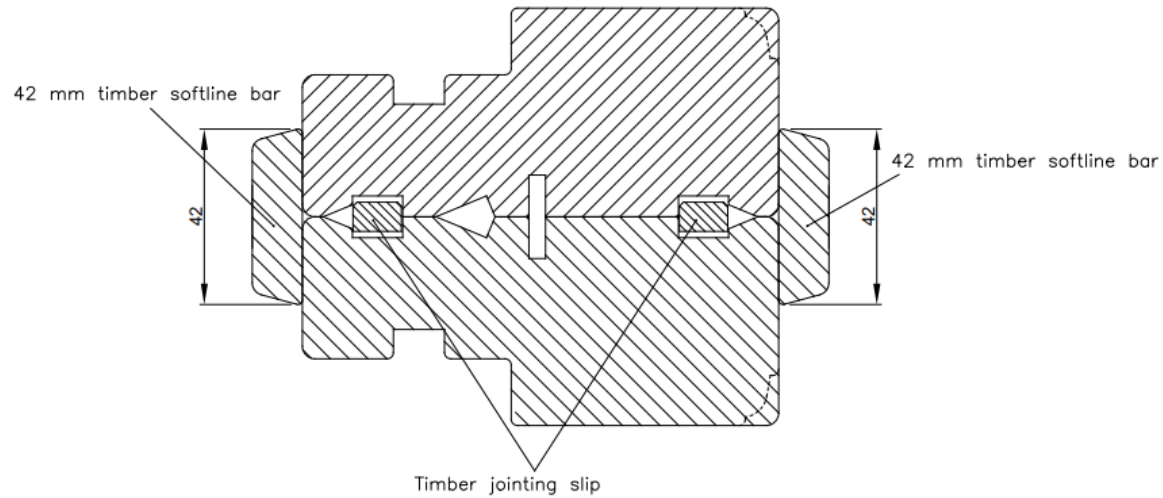
* NOTE! Alu external cills are not available for bay windows

Pictures borrowed from Carlson website

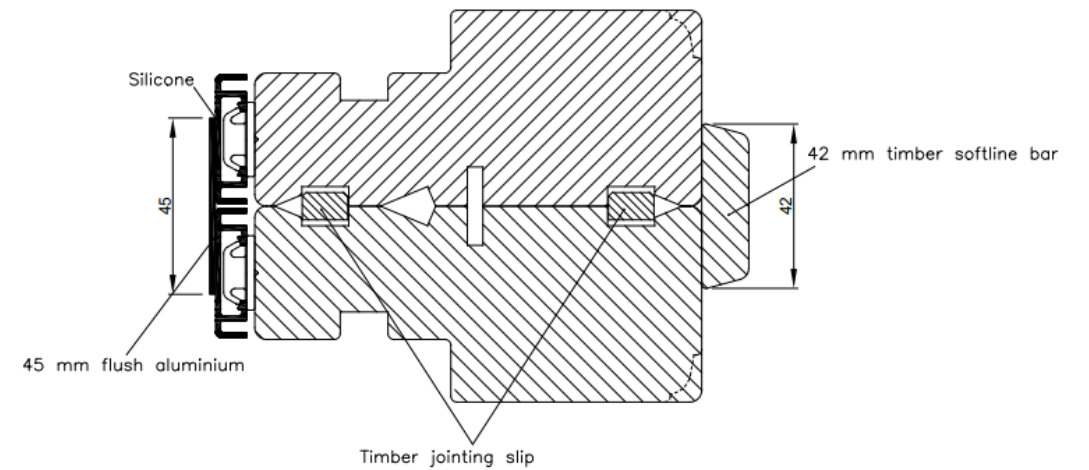
Coupling kit - vertical

MADE IN FARSE

Coupling detail wood

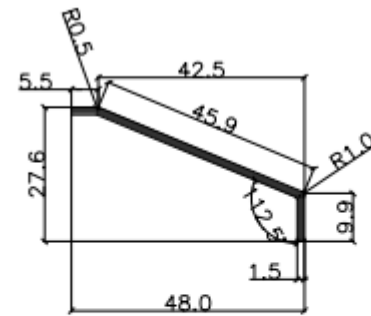
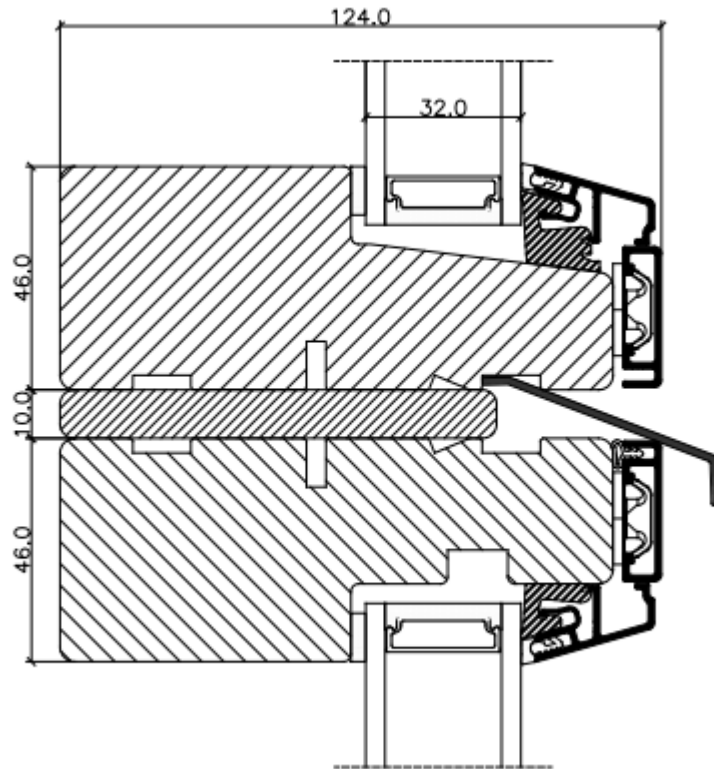


Coupling detail wood/alu

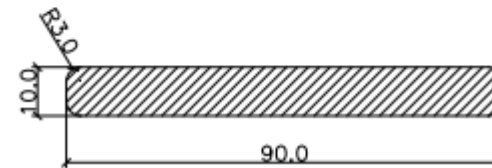


Coupling kit – horizontal (option)

MADE IN FARSE



Alu drip cill



Timber packer

Shaped/curved elements*

MADE IN FARSE



* available in wood and wood/alu

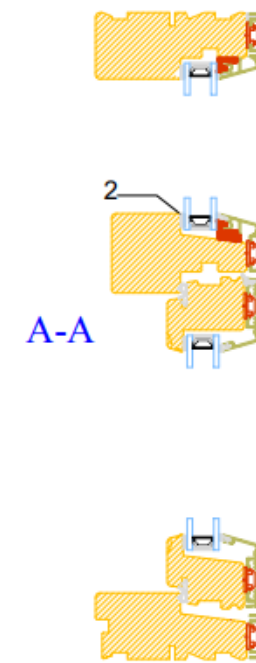
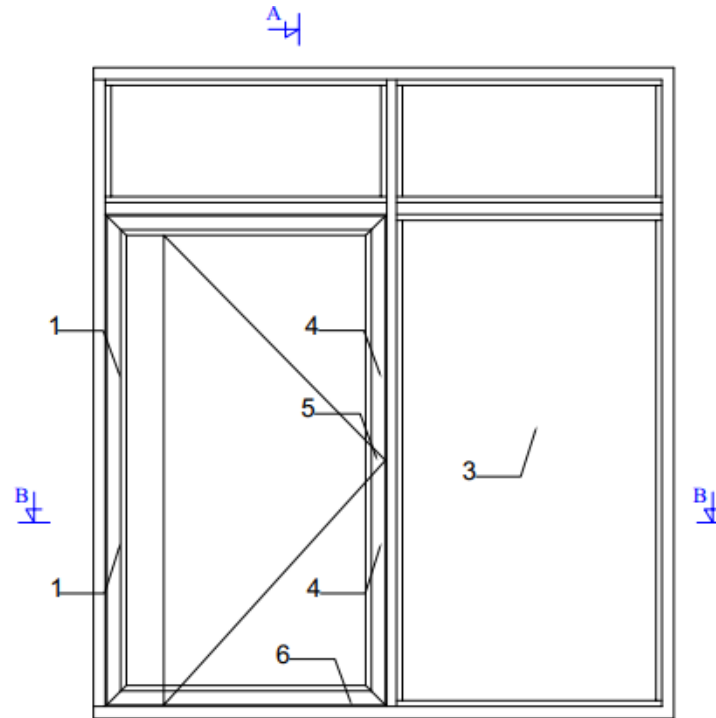
Effective size in mm







 MADE IN FARSE

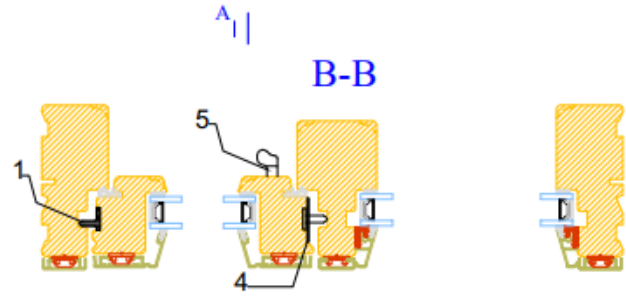
	Wood 2-layer	Wood 3-layer	Wood/alu 2-layer	Wood/alu 3-layer
<u>Glass thickness</u>	32	37	32	47
<u>Frame</u>	30	30	30	30
<u>Frame depth</u>	114	114	124	124
<u>Reduced frame depth</u>	86	86	96	96
<u>Extra wide frame depth</u>	144	144	154	154
<u>Extra wide frame depth</u>	174	174	184	184
<u>Window sash</u>	55	55	55	55
<u>Window sash depth</u>	64	64	74	74
<u>Door leaf</u>	102	102	102	102
<u>Door leaf depth</u>	64	64	74	74
<u>Solid plank door depth</u>	64	64	74	74
<u>Glass in vision panel (plank door)</u>	37 (3-lags)	37 (3-lags)	47 (3-lags)	47 (3-lags)
<u>Hardwood thershold</u>	30	30	30	30
<u>Alu threshold/ Fiberglass threshold</u>	14	14	14	14
<u>Glazing bead</u>	16	16	16	16
<u>E-bar 24mm</u>	24	24	24	24
<u>E-bar 42mm</u>	42	42	42	42
<u>E-bar 60mm</u>	60	60	60	60
<u>Going through 60mm bar</u>	60	60	60	60
<u>Air</u>	4	4	4	4
<u>Air for top reversible (side)</u>	5	5	5	5
<u>Air for top reversible (bottom)</u>	4	4	5	5
<u>Air for sideguided (top and bottom) Sash under 800mm wide</u>	4	4	4	4
<u>Air for sideguided (top and bottom) Sash over 800mm wide</u>	5	5	5	5
<u>Air between door leafs (dob. door)</u>	5	5	5	5
<u>Winkhaus og Fix espagnolette</u>				
<u>Air between door leafs (dob. door)</u>	6	6	6	6
<u>Assa 1-point lock</u>				
<u>Air for single door (side)</u>	4,5	4,5	4,5	4,5
<u>Air for double door (side)</u>	4	4	4	4
<u>Mullion</u>	28	28	28	28
<u>Transom</u>	28	28	28	28
<u>Midrail (standard)</u>	102	102	102	102
<u>Wider midrail 208mm</u>	208	208	-	-
<u>Single bottom rail</u>	102	102	102	102
<u>From bottom of sash to top of glazing bead</u>				
<u>Double bottom rail</u>	194	194	206	206
<u>From bottom of sash to top of glazing bead</u>				
<u>Triple bottom rail</u>	286	286	310	310
<u>From bottom of sash to top of glazing bead</u>				


Pas 24 - sideguided

 MADE IN FARSEØ



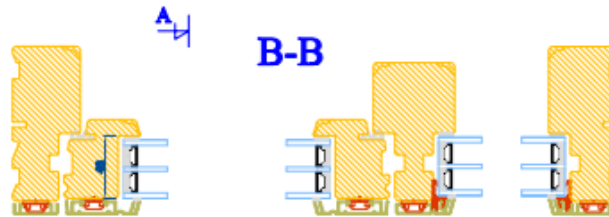
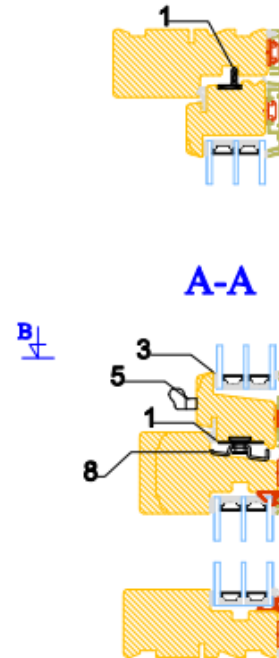
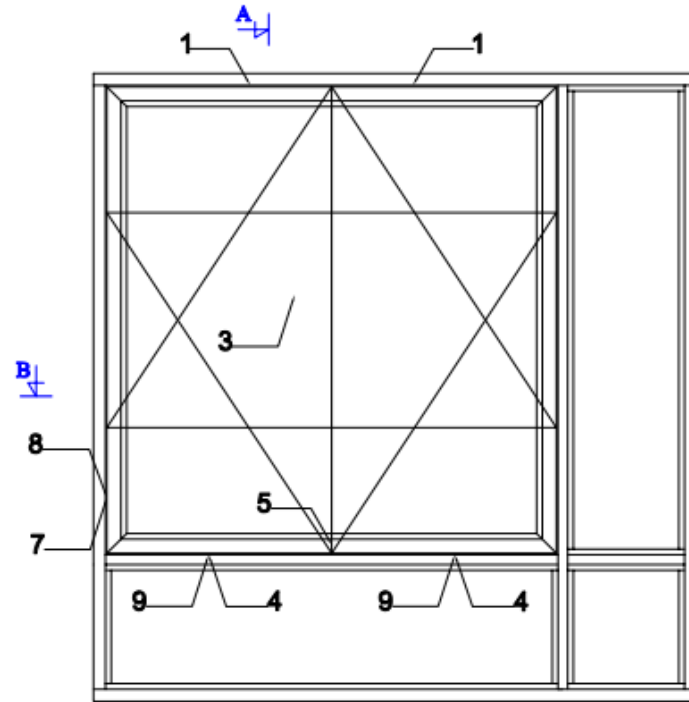
1	Hinge protector	
2	Safety tape	
3	P1A approved glass	
4	Powerplate	
5	Child protection	
6	Safety hook	



 Outline vinduer til tiden	Outline Vinduer A/S Fabrikvej 4 DK-9640 Farsø www.outline.dk							
	<table border="1"> <tr><td> </td><td> </td></tr> <tr><td> </td><td> </td></tr> <tr><td> </td><td> </td></tr> <tr><td> </td><td> </td></tr> </table>							

Pas 24 – top reversible

MADE IN FARSE



1	Hinge protector	
2	Safety tape	
3	P1A approved glass	
4	Powerplate	
5	Child safety	
7	Child safety and cleaning hatch	
8	Safety strikerplate	

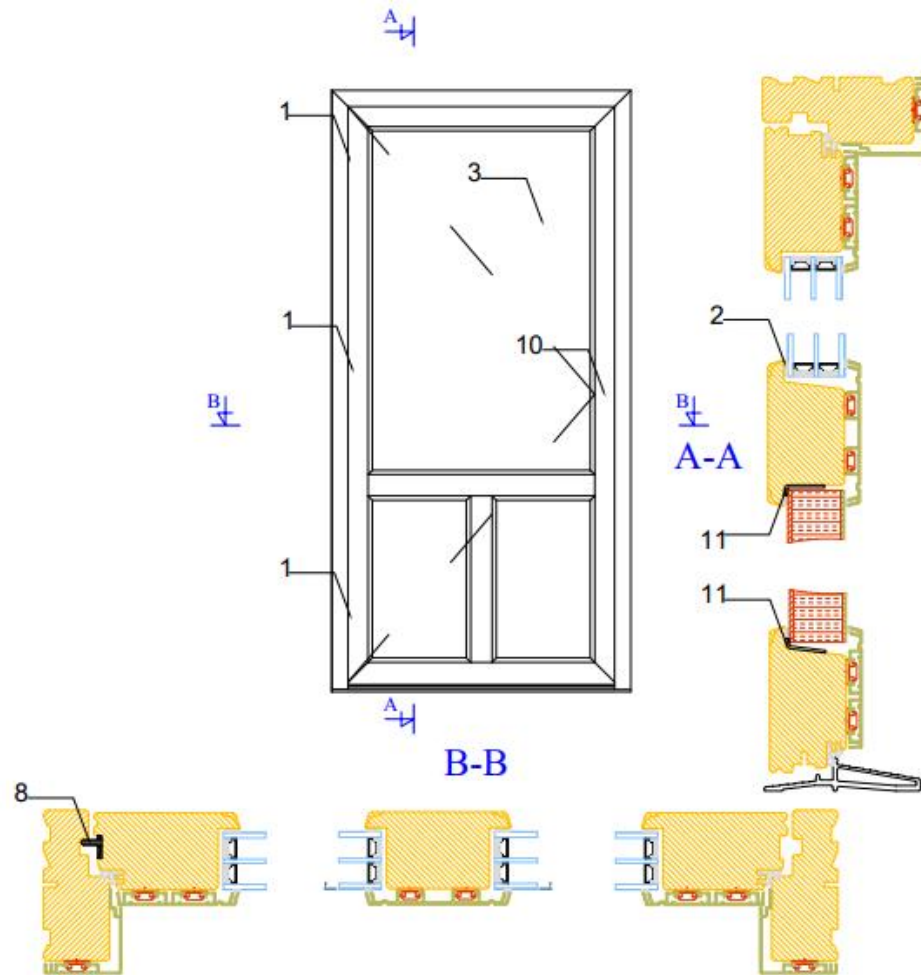
 Outline vinduer til tiden	Outline Vinduer A/S Fabriksvej 4 DK-8940 Farsø www.outline.dk	



The *Choices* brand


Windows, Doors, Conservatories

Pas 24 – inward opening single door

 MADE IN FARSEØ



1	Hinge protector	
2	Safety tape	
3	P1A approved glass	
10	3 - star cylinder	
11	Infill reinforcement	

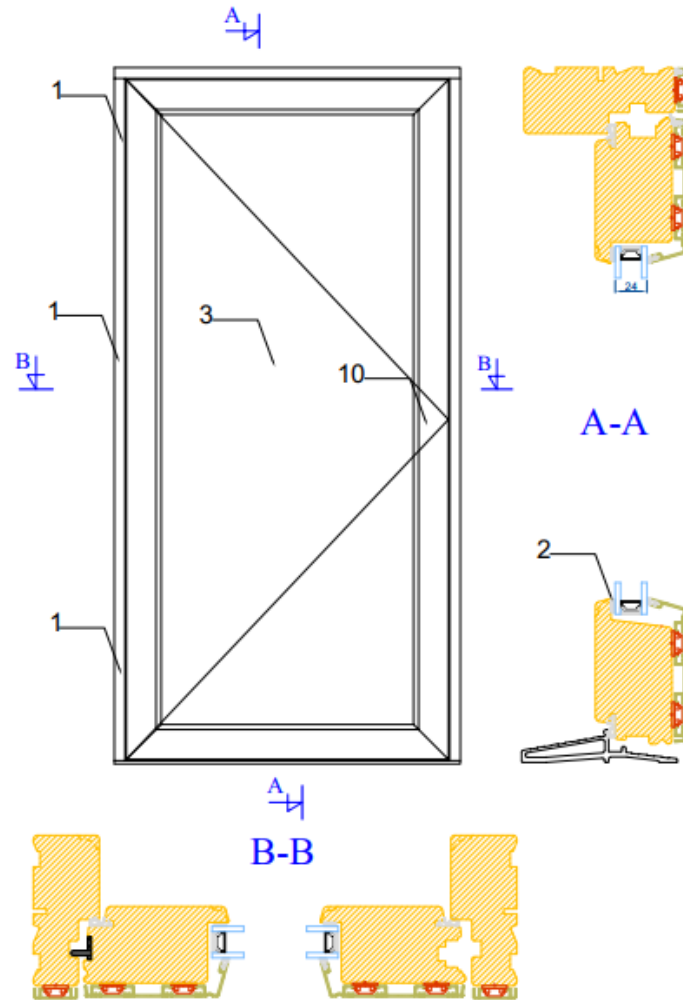
 Outline vinduer til tiden	Outline Vinduer A/S Fabrikvej 4 DK-9540 Farsø www.outline.dk							
	<table border="1"> <tr><td> </td><td> </td></tr> <tr><td> </td><td> </td></tr> <tr><td> </td><td> </td></tr> <tr><td> </td><td> </td></tr> </table>							





The *Choices* brand


Windows, Doors, Conservatories

Pas 24 – outward opening single door

 MADE IN FARSØ



1	Hinge protector	
2	Safety tape	
3	P1A approved glass	
10	3 - star cylinder	

	Outline Vinduer A/S Fabriksvej 4 DK-9640 Farsø www.outline.dk

The *Choices* brand
Windows, Doors, Conservatories

24/4 Calculation Software

 MADE IN FARSE

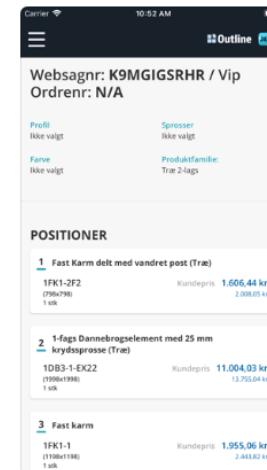
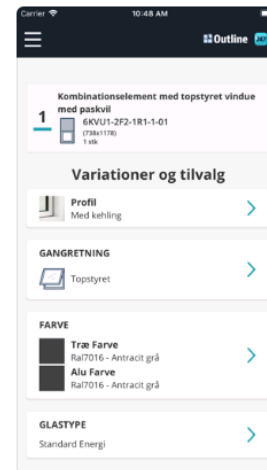
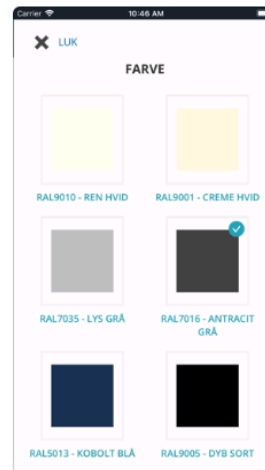
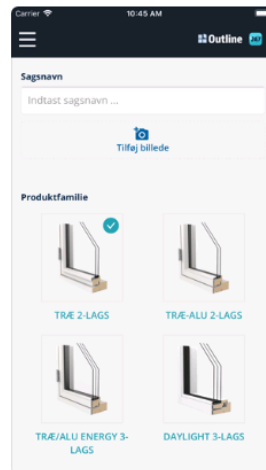


Outline 24/7 4+

Outline Vinduer A/S

Gratis

Screenshots [iPhone](#) [iPad](#)

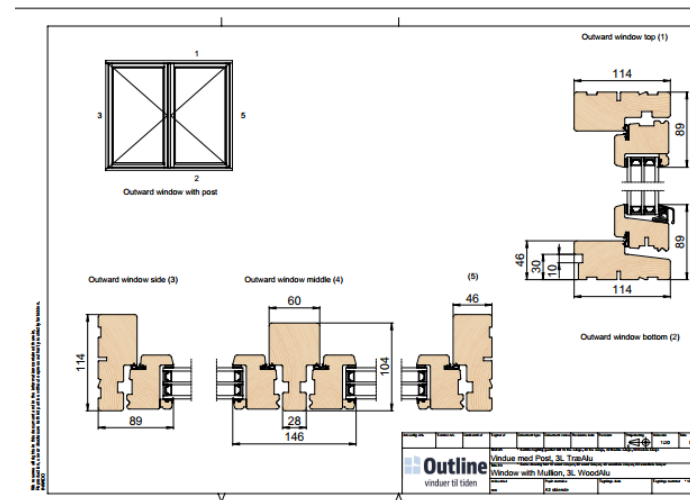


The *Choices* brand

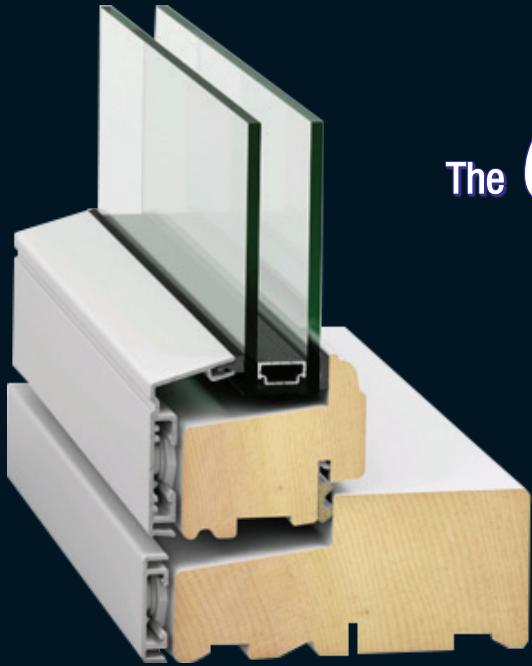
Technical drawings

MADE IN FARSE

- All our technical drawings are placed on your servers (contact person Lewis Price and Christopher Arnfield)
- Also drawings are placed on our website <https://www.outline.dk/en/technical-info/technical-drawings/>



The best of Two Worlds



The *Choices* brand
Alu-Clad



The *Choices* brand
Windows, Doors, Conservatories

Why not consider the other collections available from Choices

Windows, Doors, Conservatories & Orangeries manufactured from state of the art PVCU and Aluminium for Domestic and Commercial properties.