



SOLUTIONS FOR PLANNING IN CONSERVATION AREAS,  
ARTICLE 4 SITES & LISTED BUILDINGS

R9

RESIDENCE 9®



WINDOWS & DOORS

THE WAY THEY'RE  
MEANT TO BE™





## AUTHENTIC TIMBER ALTERNATIVE

### UNDENIABLY AUTHENTIC

The design brief for Residence 9 was to extract the key principles, shapes and dimensions from the Article 4 Conservation Area guidelines for windows and integrate market leading technology into the design using virtually maintenance free materials. Residence 9 is thermally and acoustically brilliant. It features the latest security, maintenance and performance innovations, whilst appearing traditional. Your windows and doors won't warp, swell, flake or need sanding and painting.

*Residence 9 has proudly been approved for use in many Conservation Areas, Article 4 sites and Listed Buildings.*

### CONSERVATION AREA

A conservation area is an area "of special architectural or historic interest, the character or appearance of which it is desirable to preserve or enhance". Many of your towns, villages and cities rely on historic windows for much of their architectural impact and character. Inappropriate, poor quality replacement windows can easily erode traditional features on historic buildings.

### ARTICLE 4 DIRECTIONS & HERITAGE

An article 4 direction is made by the local planning authority. It restricts the scope of permitted development rights either in relation to a particular area or site, or a particular type of development anywhere in the authority's area. Where an article 4 direction is in effect, a planning application may be required for development that would otherwise have been permitted. Article 4 directions are used to control works that could threaten the character of an area of acknowledged importance, such as a conservation area. Replacement windows and doors may then need Planning Permission. This is quite rightly done to preserve architectural merit. Some planning authorities precluded the use of modern materials because the window designs were inappropriate in size, shape and design. A more modern approach has been to approve the use of Residence 9 because of its authentic design. It has been specifically designed to replicate the documented historical window designs from the period. "The use of modern material should be accepted provided that the window is of design, dimensions, detailing and opening mechanisms are similar to the original window." You should always obtain Planning Permission from the Local Planning Authority before commencing work.

### LISTED BUILDINGS

Listing is not a preservation order, preventing change. It does not freeze a building in time, it simply means that listed building consent must be applied for in order to make any changes to that building which might affect its special interest. Residence 9 has been fitted in listed buildings, however the local authority uses listed building consent to make decisions that balance the site's historic significance against other issues, such as its function, condition or viability.



Before



*Old, flaking timber windows in need of updating and replacing.*

After



*Restored to former glory with all the benefits of a modern window system.*



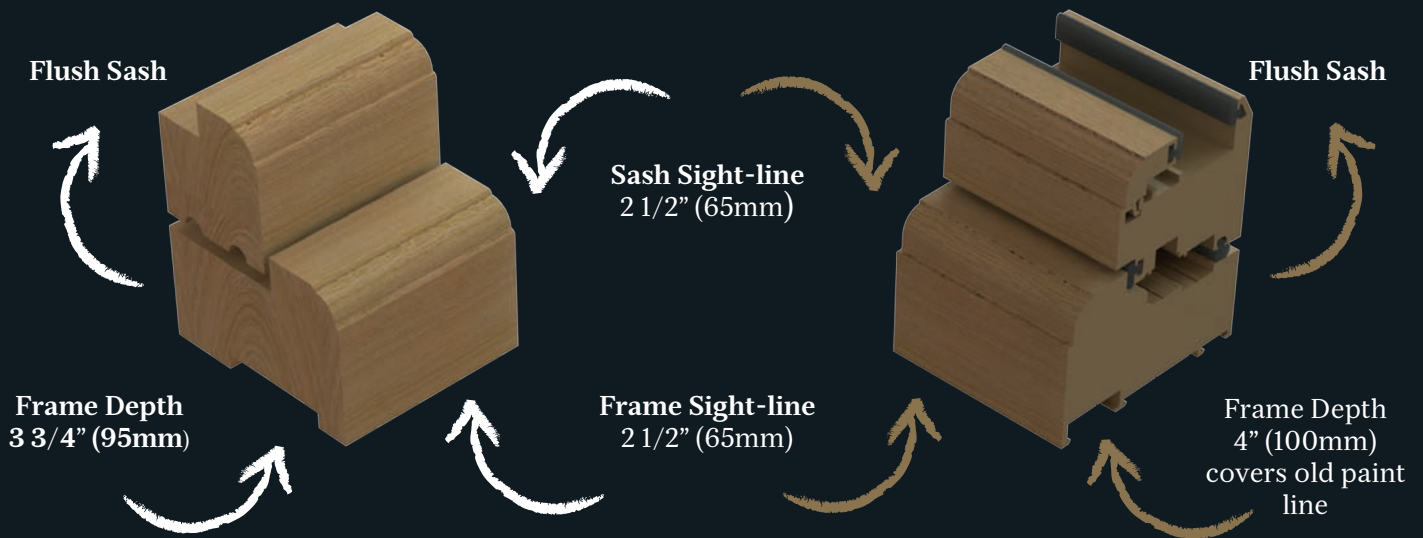
## AUTHENTIC TIMBER ALTERNATIVE

### PRESERVE KERBSIDE APPEARANCE

If you are looking for kerbside appeal, look no further. The flush sash exterior is timeless and a true recreation of traditional 19th Century timber windows. This is achieved by mirroring the sizes historically documented and as listed in many Article 4 planning guidelines. Furthermore, all the glass sight-lines are perfectly equal providing symmetry and style. The internal shape and depth is completely authentic and gives an elegant and distinctively deep appearance.

#### HISTORICAL SIZES

#### RESIDENCE 9 SIZES



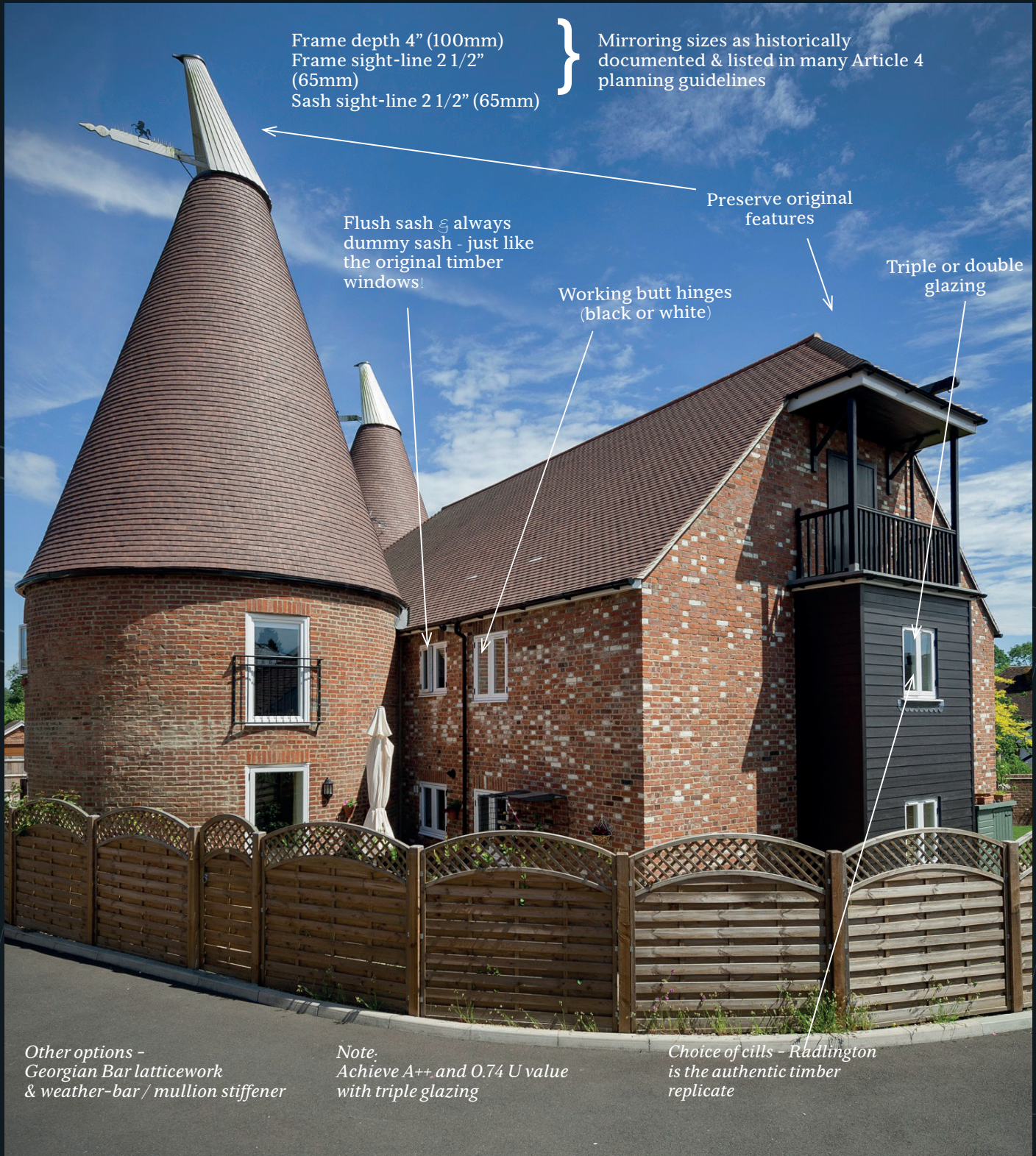




## TRADITIONAL WINDOW DESIGN

### CASE STUDY NO.1 – OAST HOUSE, CONSERVATION AREA

Oast Houses were designed for kilning hops as part of the brewing process. In the early 19th Century these distinctive circular buildings with conical roofs appeared across the country in response to the increased demand for beer! This beautiful British building was brought back to its former glory and converted to a residential property. Residence 9 was specified which restored the period detail required due to its authentic 19th Century timber aesthetics. A Grained White finish and traditional butt hinges preserve the kerbside appearance, whilst the contemporary design features and virtually maintenance free materials are perfectly suited to modern living.







## TRADITIONAL WINDOW DESIGN

### GENUINE HERITAGE DESIGN

19th Century timber windows were hand crafted and in order to truly replicate the features of this window style, Residence 9 combines the repeatability of modern machining processes with the eye of a craftsman. With a range of authentic styles and configurations, Residence 9 allows you to recreate and preserve traditional details, redefining modern windows and doors.

### TRADITIONAL SIGHT-LINES

Flush Sash authentically replicates 19th Century timber window aesthetics and is always dummy sash, maintaining equal sight-lines.

### GEORGIAN BAR

Residence 9 has beautifully bespoke sections that typically replicate deep decorative detailing inside and the chamfered putty line outside. With the Residence 9 Georgian Bar you can recreate the pattern of the original windows to preserve your home's character or add new personality with the flair of designing your own patterns.

### TRADITIONAL HARDWARE

Inspired by the appearance of 19th Century ironmongery, the Romatopola hardware handles and stays enable you to replace your windows without losing the character of your home. Available in a range of nine exclusive finishes, our handles come with the added security benefit of being key locking and with matching stays available, these can be working and dummy. Complete the authentic look with Black or White butt hinges, these can be traditionally working or dummy for use with modern hinges.



*Authentically replicate traditional sight-lines and a heritage look with Georgian bar - no compromise on function or aesthetics.*







## TRADITIONAL WINDOW DESIGN







## TRADITIONAL WINDOW DESIGN

### HERITAGE COLOUR PALETTE

The Graduate Collection is a range of colours and shades to suit different architectural periods and individual choices. From timeless classics like Grained White to Countryside favourites like Cotswold Green we have a colour solution for every home.

17th Century windows were oak and left unpainted, whilst 19th Century windows were always painted. The inspirational dual colours can transform your home room by room, creating your perfect solution.



*Grained White*



*Clotted Cream*



*Cotswold Biscuit*



*Irish Oak*



*English Oak*



*Silvered Oak*



*Cotswold Green*



*Painswick*



*Corse Lawn*



*No.10 Black*



*Eclectic Grey*



## GENUINE HERITAGE APPEARANCE

### AUTHENTIC CILL DETAIL

Residence 9 offers a range of cills, however if you are replacing an old timber cill 'The Radlington' is the modern interpretation of a timber cill and therefore the perfect choice. It is designed to authentically accompany your Residence 9 windows and doors so you can recreate that stunning traditional look.

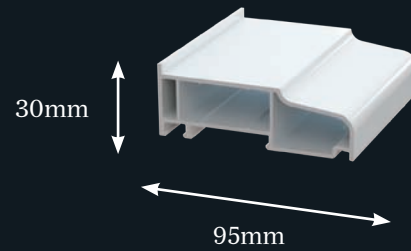
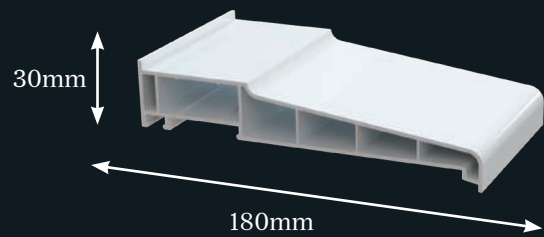


*The Radlington Cill 55mm x 165mm*

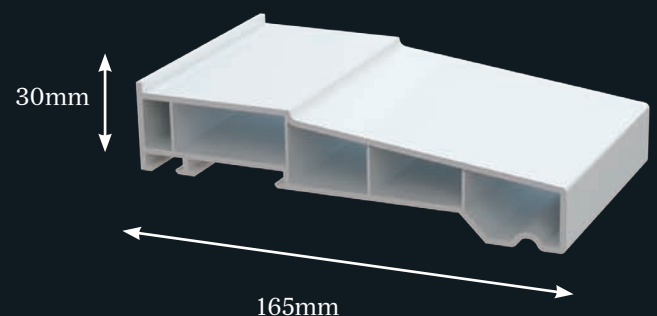
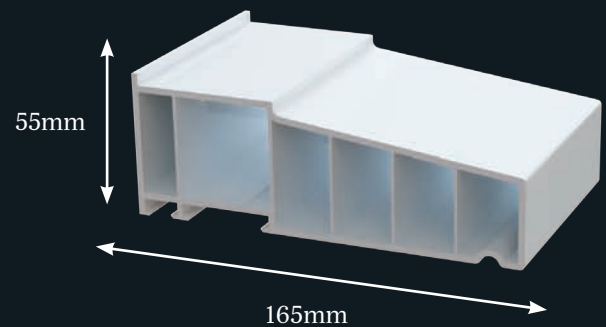


*The Radlington Cill 30mm x 165mm*

### RANGE OF CILLS



### THE RADLINGTON CILL







## GENUINE HERITAGE APPEARANCE

### CASE STUDY NO.2 – SCARBOROUGH COLLEGE, GRADE II LISTED BUILDING

This beautiful 14-acre site in the seaside town of Scarborough has been committed to the highest standards of education for over 100 years for children aged 3 - 18. Specified for its authentic timber aesthetic, R9 in our classic colour choice Grained White was the perfect fit for this Grade II Listed College building. As well as the perfectly replicated aesthetic features that make Residence 9 the ultimate timber alternative system, it achieved one of the highest classifications of British Standard weather tests due to its robust design and market leading thermal and acoustic values, far surpassing the British Building Regulation requirements. The result is a heritage building restored to the highest standards, not only sympathetic to its rich history, but with unbeatable performance too.



*A fresh new look - old timber windows were replaced with Residence 9 renovating the buildings heritage.*



*On-going project - Centurion Windows carefully fitting R9 into Scarborough College.*

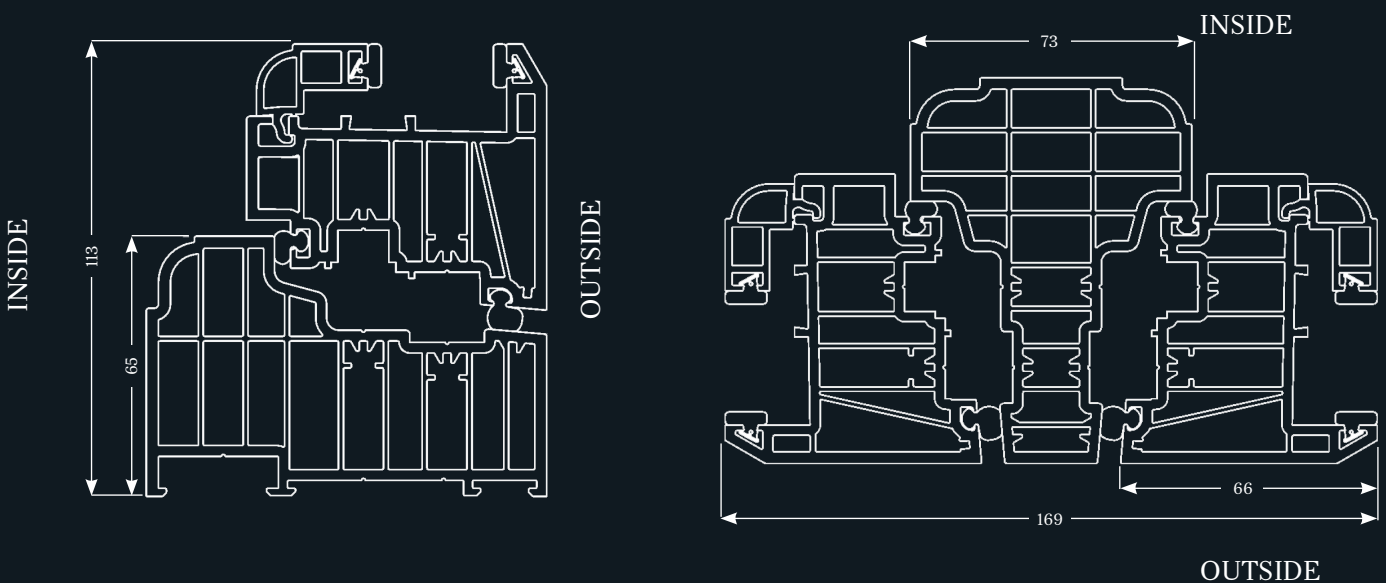




## GENUINE HERITAGE APPEARANCE

### AUTHENTICITY & ENERGY EFFICIENCY

Residence 9 has 9 chambers and is 100mm wide, resulting in superior thermal, acoustic, strength and security performance. It achieves a certified window energy A++ rating and accommodates the most thermally and acoustically efficient 44mm triple glazing and 28mm double glazing. Attaining U-values of 0.74 with triple glazing, Passivhaus Standard and 1.2 with double glazing far surpassing the British Building Regulation requirements. All of this contributes to lower energy bills, keeping you cosy in the winter and cool in the summer.







## GENUINE HERITAGE APPEARANCE

### CASE STUDY NO.3 – THE LANES, CONSERVATION AREA

This beautifully traditional thatched roof property is nestled in the picturesque Norfolk Broads, a protected Conservation Area in the East of England. Residence 9 offered a solution that not only met all of the conservation planning criteria, but gave the homeowners windows that have the beauty and character of timber, but with virtually maintenance free materials, perfectly suited to modern living.



*Time honoured traditions and modern manufacturing processes that withstand the test of time.*



*Mullion stiffener used to replicate the original aesthetics of the windows.*



*Romatopola hardware in Electro Gold completed the internal look.*







WINDOWS & DOORS

THE WAY THEY'RE  
MEANT TO BE™



R9

RESIDENCE 9®

THE  
RESIDENCE  
COLLECTION



#R9journey

T: 01452 300912 E: [journey@residencecollection.co.uk](mailto:journey@residencecollection.co.uk) W: [www.residencecollection.co.uk](http://www.residencecollection.co.uk)

RESIDENCE 9 AND R9 ARE REGISTERED UK TRADE MARKS OF WINDOW WIDGETS (2006) LIMITED

\*Your chosen installer should do a professional survey and advise on the suitability of Residence 9 in your property and/or area.