

R9

RESIDENCE 9[®]



WINDOWS & DOORS

THE WAY THEY'RE
MEANT TO BE[™]





RESIDENCE 9

is a window and door system designed to authentically replicate 19th Century timber designs.

Residence 9 is a clever blend of old and new. It fuses classic aesthetics with a twist of modern materials.

CLASSIC WITH A TWIST

The traditionally elegant flush exterior and stylish decorative interior create that classic aesthetic. The twist is a modern high performance material which lends itself to the sometimes frantic pace of modern living by being virtually maintenance free; no painting or staining required!

It also has the added benefit of uniquely engineered 'easy clean' rebates which can be easily wiped clean meaning your windows remain looking their best with the minimum of effort, so you can spend more time doing the things you love.

SOPHISTICATED PERFORMANCE

A combination of design, innovation and technological advancement is how Residence 9 outperforms many other systems. It can accommodate triple or double, highly efficient glazed units with market leading thermal and acoustic performance. It achieved one of the highest classifications on the British Standard weather test due to its robust design, and has the option of steel reinforcements (if required) to attain the maximum sizes to recreate grand entrance screens through to exceptional bays.

BEST OF BRITISH

Residence 9 is proud to be designed and made in the UK. It was created with the enduring designs of British architecture in mind and has many bespoke options that can satisfy a range of homes from the grandeur of stately homes, to the solid good looks of Georgian and Victorian, right through to the present day. As well as a stunning range of windows, it can be incorporated into fabulous French, Residential and Composite doors and elegant Orangeries and Garden Rooms. All of these are available in a handpicked collection of heritage colours that can be personalised to match existing furnishings by choosing a different colour inside to outside.

Uncover Your R9 journey here...





HERITAGE

Residence 9 can tick all the boxes for your property. It is designed to replicate the flush timber designs found in heritage properties in our towns, villages and cities. It enables you to replace your windows and doors with an authentic design and in heritage colours, without losing the character appearance and feel of the period. Crucially, you can now achieve this in a virtually maintenance free composite material, no more painting and staining, leaving you time to enjoy your beautiful home.









BESPOKE

Make your windows and doors truly individual by selecting dual colours, complement your interior designs by tailoring your internal colour by room and choose an external colour that creates the signature first impression to suit your exterior. Our choice of hardware designs will further complement your look, whether your style is contemporary or period. Further options include Georgian bar and weatherbar/mullion stiffener, both of which can be added to replicate existing or add new character to your home. Design your perfect solution with Residence 9.









TRADITIONAL

Residence 9 is an eclectic blend of traditional aesthetics and innovative design. Whatever period your property is we know your Residence 9 windows and doors will look great, as we copied historical design and considered conservation guidelines, which authentically replicate the traditional timber sightlines. You'll immediately notice the benefits of the thermally efficient 9 chamber design and modern glazing, whilst retaining the character of your home, traditionally transformed by Residence 9.











MODERN

Whether you are embarking on a new build project or renovating an old, Residence 9 windows and doors perfectly embody both traditional and modern homes. The blend of timeless styles, configurations and colours allied with modern British craftsmanship will give you the peace of mind to enjoy your home. It is so easy to maintain the fresh look of your new home due to the exclusively designed 'easy clean' rebates, simply wipe clean and no painting or staining with the modern high performance material. Choose Residence 9 for a splendid outlook, for years to come.











QUINTESSENTIAL

Residence 9 encapsulates British qualities. Lovingly designed at the Residence head office in Gloucestershire, once you have chosen your personalised configurations, your windows and doors are crafted by chosen fabricators in and around Britain, before being fitted by your preferred Residence 9 installer. Quintessentially yours.









HAND FINISHED DETAILING

19th Century timber windows were hand crafted and in order to truly replicate the features of this window style, Residence 9 combines the repeatability of modern machining processes with the eye of a craftsman. Residence 9 windows and doors are undeniably authentic with the stunning flush appearance, redefining modern windows and doors.

A⁺⁺
ENERGY RATING
0.74 W/m²k
U-VALUE

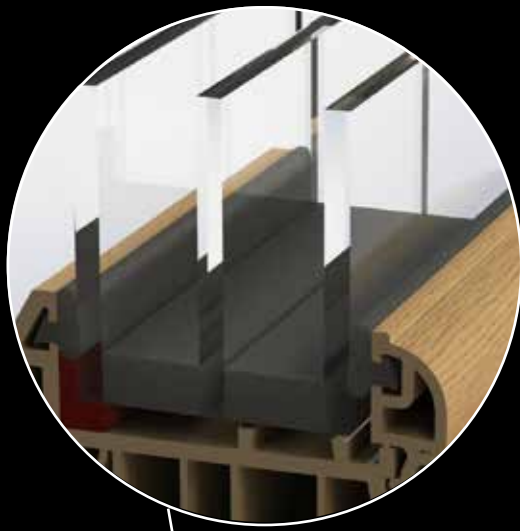


PERFORMANCE

Residence 9 has unquestionable market leading design features and performance. It achieved one of the highest classifications on the British Standard weather test due to its robust design and has market leading thermal and acoustic values.

It achieves a certified window energy A⁺⁺ WER rating and accommodates the most thermally and acoustically efficient 44mm triple glazing and 28mm double glazing, attaining U-values of 0.74 W/m²k with triple glazing, PassivHaus Standard and 1.2 with double glazing, far surpassing the British Building Regulation requirements. All of this contributes to lower energy bills, keeping you cosy in the winter and cool in the summer.





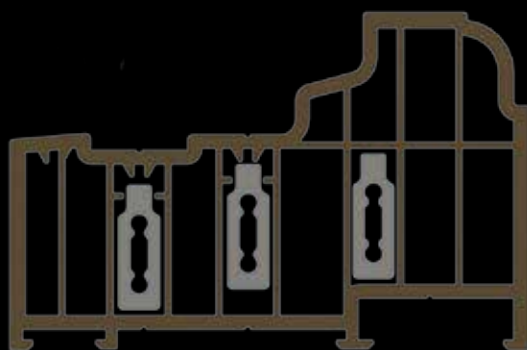
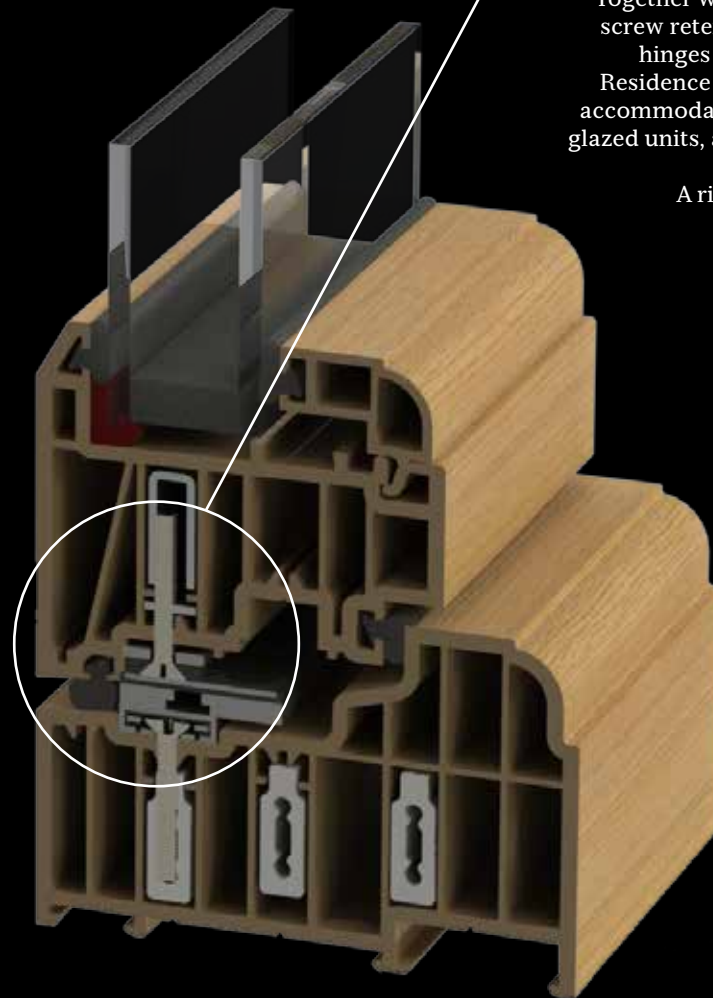
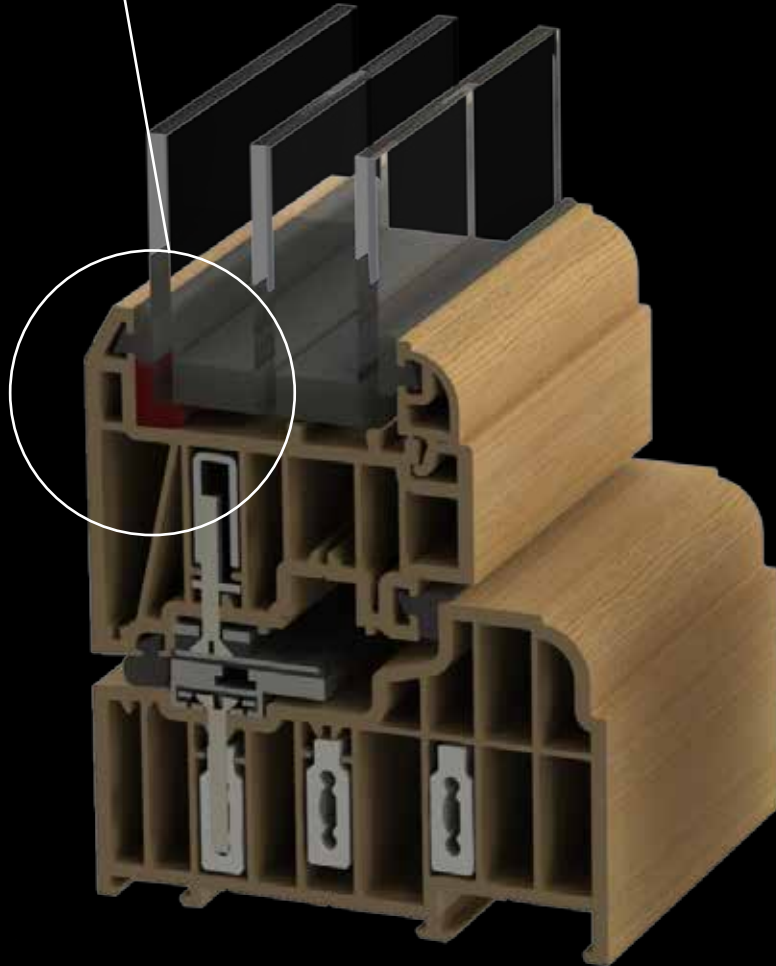
GLASS BONDING

Residence 9 windows and doors are predominantly “glass bonded” (shown in red). The best windows in Europe are glass bonded and many of the World’s most famous modern skyscrapers utilise glass bonding technology. With the glass bonded to the sash and with the bead on the inside it contributes to high security performance. Glass bonding also significantly improves the overall strength of the product, resulting in trouble-free operation for years to come.*



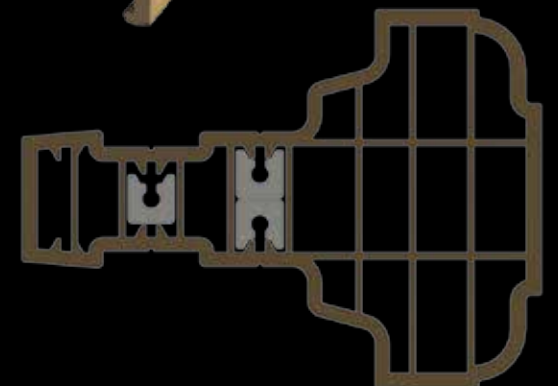
LOCK AND HINGE RETENTION

Residence 9 is made to CEN A wall thickness. This is the highest classification in Europe. Together with intelligent design details and screw retention reinforcements, locks and hinges are secured firmly into position. Residence 9 is also specifically designed to accommodate the additional weight of triple glazed units, allowing heavy duty hinges to fit and operate perfectly. A right vent option is also available.



9 CHAMBER DESIGN

Residence 9 is engineered to meet current and anticipated future standards. Other window frames are typically 3 or 5 chambers and are usually 70mm wide, Residence 9 has 9 chambers and is 100mm wide, resulting in superior thermal, acoustic, strength and security performances.



*Some manufacturers may offer alternatives to glass bonding, please refer to your chosen installer for further clarification.



PERSONALISE

Your Residence 9 windows, doors and orangeries are not only stylish, they will withstand the test of time too. They include state of the art design features and champion British craftsmanship using time honoured traditions and modern manufacturing processes. With a range of splendid styles and configurations, Residence 9 allows you to create an individual design statement for your home. Choose from a vast colour palette and a series of decorative options to truly personalise your Residence 9.





GEORGIAN BAR

Residence 9 has beautifully bespoke sections that typically replicate deep decorative detailing inside and the chamfered putty line outside. With the Residence 9 Georgian Bar you can recreate the pattern of the original windows to preserve your home's character or add new personality with the flair of designing your own patterns.*



TIMBER AESTHETICS

It's not timber, it's something better. The beauty & character of timber, but without the maintenance. The epitome of high performance windows. The flush sash exterior is timeless and all the glass sightlines are perfectly equal providing symmetry and style not available in other window systems. The internal shape and depth is completely authentic and gives an elegant and distinctively deep appearance.



FOILED 'EASY CLEAN' REBATES

Residence 9 is intelligently designed with an 'easy clean' rebate which is fully foiled to match the chosen internal colour of your window. This unique design makes it easy to wipe clean by avoiding sharp corners, which attract dirt. A classic design, for modern living.

*In order to meet modern building regulations and because we are not constrained by glass technology of the period, Residence 9 is made from complete pieces of glass where glazing bars are clad to the glass rather than making individual, small glass units. Internal spacer bars give the appearance of individual units, with the performance of a single, larger sealed unit.



AUTHENTIC BUTT HINGE

Butt Hinges can assist in retaining the original timber window aesthetic or recreating as a new feature. Choose from working butt hinges or dummy butt hinges, both provide an authentic kerbside appearance. Working butt hinges also have the added advantage of a perfectly clear opening, which can be an ideal solution for fire escape windows.



HANDLES & STAYS

Personalise your Residence 9 windows with our unique range of handles and peg stays, look for the 'R'. There are both monkey tail and pear drop styles, all beautifully designed to complement your windows. They are the ideal finishing detail for recreating a traditional period allure.

Request or download our hardware brochure to find out more.



WEATHERBAR/ MULLION STIFFENER

Old timber windows often had a raised moulding that ran horizontally or vertically, this bar looked distinctive and gave the windows depth and character. The bar's purpose was to shed dripping water and to increase the strength of the mullion, that's why we recreated this optional feature with Residence 9, time served traditional performance and aesthetics.



TRADITIONAL CILL DETAIL

Old timber cills were deep and often aligned with a course of bricks. The Radlington Cill is the modern interpretation of a timber cill, designed to authentically accompany your Residence 9 windows and doors so you can recreate that stunning traditional look in both modern and period homes.



BAYS AND CORNERPOSTS

From elegant Edwardian to grand Georgian to majestically Modern. Contemporary and traditional bay windows and orangeries can be sympathetically recreated using Residence 9's stunning fluted cornerposts and defined plinth detailing or a range of decorative trims to suit multiple bay angles and designs.



Open-in Door



Open-out Door

DOOR STYLES

The Residence Collection comprises of front doors, rear and side entrance doors, open-in doors plus a variety of French door styles to suit your space and unique style requirements. With a dedicated open-out flush door sash to take premium security hardware and a range of handle styles, available to use as double and single doors, it perfectly suites with your windows. For open-in doors there's a separate solution that has been purposefully designed to work for doors required to be open-in, the internal bead matches the internal window bead and frame detail to have a consistent aesthetic for seamless beauty.



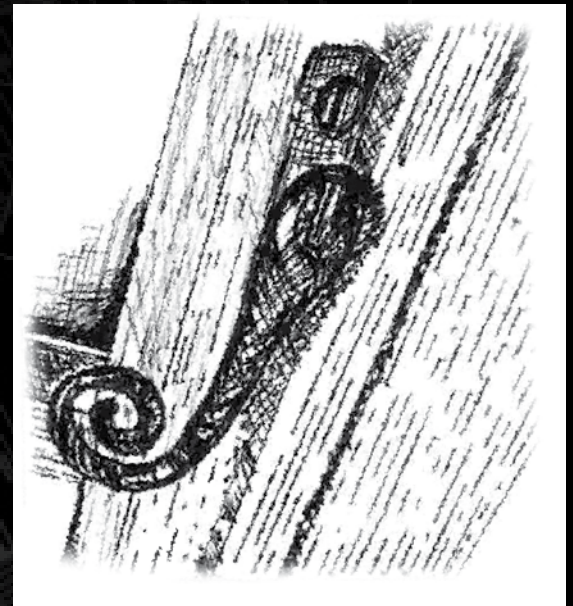
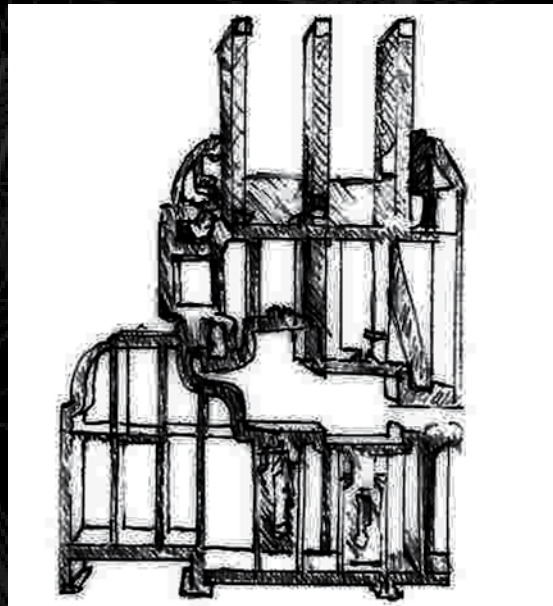
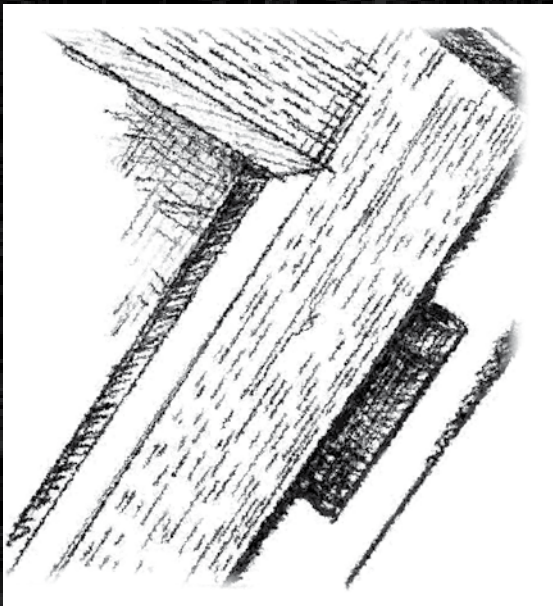
PLANNING & CONSERVATION

The design brief for Residence 9 was to extract the key principles, shapes and dimensions from the Article 4 Directions for windows and integrate market leading technology into the design using virtually maintenance free materials. Residence 9 is thermally and acoustically brilliant. It features the latest security, maintenance and performance innovations, whilst appearing traditional. Your windows and doors won't warp, swell, flake or need sanding and painting.

Conservation areas exist to protect the special architectural and historic interest of a place - in other words the features that make it unique and distinctive. Residence 9 has been approved in many conservation areas and we are happy to assist you on your journey.

"Being in a conservation area might mean that your house is affected by special controls (called 'Article 4 Directions'). These restrict work you can normally do without planning permission such as replacing a door or window or altering gutters and downpipes." <https://historicengland.org.uk>

For further information, request or download our Residence 9 Planning and Conservation brochure.







YOUR R9

The Residence 9 Graduate Collection is a range of colours and shades to suit different architectural periods and individual choices. 17th Century windows were oak and left unpainted, whilst 19th Century windows were always painted. The inspirational dual colours can transform your home room by room, creating your perfect solution, this is your Residence 9.



THE GRADUATE COLLECTION



Grained White



Cotswold Biscuit



Clotted Cream



Cotswold Green



Painswick



English Oak



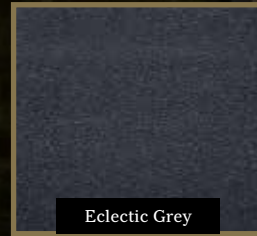
Irish Oak



Silvered Oak



Corse Lawn



Eclectic Grey



No 10 Black

The print process may not give a 100% accurate colour representation of the actual finish. Furthermore, the finishes have different textured grains. For this reason it is recommended to visit a Residence 9 showroom to see actual swatches of the finishes available.



INSIDE COLOUR

	Grained White	Cotswold Biscuit	Clotted Cream	Cotswold Green	Painswick	English Oak	Irish Oak	Silvered Oak	Eclectic Grey
Grained White									
Cotswold Biscuit									
Clotted Cream									
Cotswold Green									
Painswick									
English Oak									
Irish Oak									
Silvered Oak									
Eclectic Grey									
No 10 Black									
Corse Lawn									

OUTSIDE COLOUR

DUAL COLOURS

Your R9 windows can be truly personalised with dual colours. For example, you could have “Painswick” on the outside and “Clotted Cream” on the inside to match your kitchen décor. Experiment by room, if your windows are “Cotswold Green”, but that doesn’t match your bedroom or bathroom furnishings, then go for a fresh “Grained White” finish inside. Dual Colours can also be used to create a Tudor style, try “No.10 Black” frames with “Grained White” sashes or vice versa!



WINDOWS & DOORS

THE WAY THEY'RE
MEANT TO BE™

Visit www.residencecollection.co.uk to –

*Visualise your dream designs with the 'Residence 9 Window Designer'
Enter your postcode to find your nearest Residence 9 installer* and showroom
Relax and watch our 'Day viewed through Residence 9' video which will take you from sunrise to sunset*

In addition to this brochure we have a range of supplementary material including –

Case Studies

A dedicated information guide on Solutions for Planners and Homeowners in Conservation Areas

Residence 9 Hardware

The Graduate Collection Colour Palette

A foil swatch showcasing a sample of each of the colours from the Graduate Collection

For any further information please call the Residence 9
Head Office on 01452 300912 or email us at journey@residencecollection.co.uk

Your Residence 9 journey is just beginning...

THE
RESIDENCE
COLLECTION

R9

Get in Touch

T: 01452 300912 E: journey@residencecollection.co.uk W: www.residencecollection.co.uk



#R9Journey

RESIDENCE 9 AND R9 ARE REGISTERED UK TRADE MARKS OF WINDOW WIDGETS (2006) LIMITED

*Your chosen installer should do a professional survey and advise on the suitability of Residence 9 in your property and/or area.