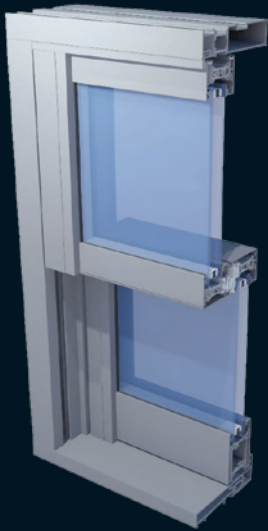


# The *Choices* brand

Windows, Doors, Conservatories



## 'Choices' Aluminium Windows



### VS 600 window

#### Design Features

- ✓ Thermally broken
- ✓ Internally glazed
- ✓ Single RAL colour
- ✓ 28mm glazing
- ✓ 'U' value 1.6 W/m<sup>2</sup>K (dependent on glass unit used)
- ✓ Frame Depth 126mm



*Vertical Sliding Max Width (mm) - 1600mm (based on frame height 1300mm)*

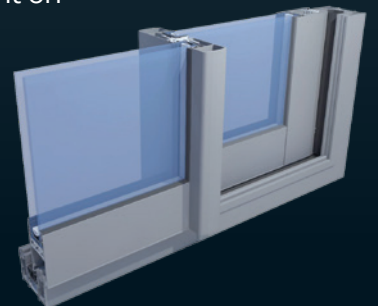
*Vertical Sliding Max Height (mm) - 2800mm (based on frame width 750mm)*



### Horizontal Slide 2000

#### Design Features

- ✓ 'U' value 1.6 W/m<sup>2</sup>K (dependent on glass unit used)
- ✓ Frame Depth 70mm
- ✓ Thermally broken
- ✓ Dual RAL colour
- ✓ 28mm glazing



# 'Choices' Aluminium Windows

Designed to offer a modern aluminium replacement to the traditional steel window

## Heritage 47 System

### Design Features

- ✓ Slimline profile
- ✓ Thermal break exceeds Part L requirements
- ✓ High security locking
- ✓ Available externally glazed fixed panes or internally glazed with dummy sashes
- ✓ Single and dual RAL colour options
- ✓ Window energy rating 'C'
- ✓ PAS 24 / Doc Q option available

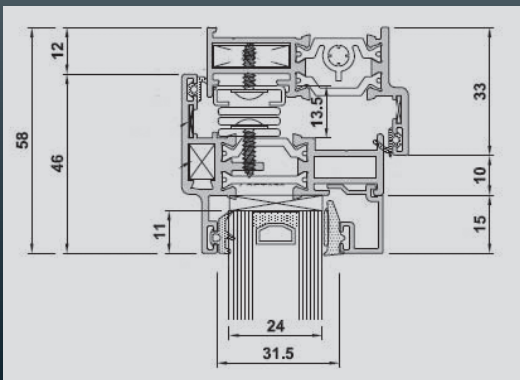


*Ideal replacement for traditional steel windows*

**ULTRA  
SLIM  
Sightlines**



### Slimline system suitable for windows and doors



*The 58mm frame and sash suitable for casement and french windows, single and double doors.*

**Why not consider the other collections available from** *The Choices brand*

Windows, Doors, Conservatories & Orangeries manufactured from state of the art PVCU and Aluminium for Domestic and Commercial properties.